

High Efficiency

Domestic Gas Boilers



Ideal Heating Solutions



Pioneering heating solutions since 1905

As technologies continue to develop, we understand that you want a long term partner who has the skills and expertise to deliver you a wide range of practical and reliable hot water and heating solutions, that are simple to install and easy to service.

Here at Ideal, we can provide you with just that.

When you choose to work with Ideal you can be confident to know that our rigorous research and development procedures ensure that our products are not only reliable, but have also been designed and built with you in mind.

From dedicated one-to-one support throughout the design, planning and after sales service stages, you can be confident to know that we can provide you with the Ideal heating and hot water solution.

Contents

High Efficiency Boilers

4-5	Logic+ Combi
6-7	Logic Combi
8-9	Logic+ and Logic Combi
10-13	Logic Code Combi
14-15	Logic+ Heat Only
16-17	Logic Heat Only
18-19	Logic+ and Logic Heat Only
20-21	Logic+ System
22-23	Logic+ and Logic System
24-27	Logic+ and Logic Controls
28-31	Mexico HE Heat Only

Accessories

32	Boiler Accessories
-----------	--------------------

Flueing

33	Flue Siting
34-38	Logic+ and Logic
39-42	Logic Code Combi
43-45	Mexico HE

Ideal Service & Support

46-51	Technical Specification
52-55	Ideal Service & Support

Logic+ Combi

24 30 35



The Logic+ Combi

The Logic+ is the advanced range of high SEDBUK efficiency rated combination boilers from Ideal, featuring a compact size and a 5 year parts and labour warranty as standard. Fully modulating down to as low as 4.8 kW, the Logic+ provides excellent energy savings, making it the perfect choice for new or replacement installations.

Available in outputs of 24, 30 and 35 kW, the Logic+ is designed to ensure a quick and hassle free installation thanks to concealed connections, built-in automatic bypass and an integral filling loop. A translucent condensate siphon also allows any debris to be spotted quickly and efficiently.

Siting the product is quick and simple too thanks to a telescopic flue, push & clip flue turret connections and zero compartment ventilation which allows the product to be installed neatly into a standard kitchen cupboard.

A clear 16 character backlit display provides a plain English description of the heating and hot water functions, together with fault information. A history log provides further reassurance.

Complete with a 5 year parts and labour warranty and recommended by the Energy Saving trust, the Logic+ delivers total home comfort and customer peace of mind.

5 year warranty only valid if registered within 30 days of installation. Terms and conditions apply, please visit www.idealheating.com for full details.



Features and Benefits



- Energy Saving Trust recommended
- 5 year parts and labour warranty
- Compact cupboard fit
- Door to optional timer includes users instructions
- Preheat function
- Fast fix telescopic horizontal flue
- Wide range of additional flueing options
- Low lift weight (33kg)
- Preformed copper tails
- Pre-wired mains lead (2m) & spare fuses included
- Built-in frost protection
- Built-in filling loop
- PRV wall outlet pipe included
- 75mm deep translucent condensate siphon
- Universal condensate connection
- Automatic bypass
- Stand off kit including pipes
- Pre-piping kit
- Plain text operation & diagnostics display
- Fully modulating operation to low outputs
- Compatible with a range of additional controls inc. weather compensation and Opentherm controls.



Logic Combi

24 30 35



The Logic Combi

Available in the choice of three outputs of 24, 30 and 35 kW, the Logic combi range from Ideal provides a quick and hassle free installation, supported by a 2 year parts and labour warranty as standard.

High SEDBUK efficiency rating and fully modulating, the Logic range of combis feature concealed connections and a built-in automatic bypass, whilst a translucent condensate siphon ensures any debris is spotted quickly and efficiently.

Designed to be installed with the minimum of fuss, Logic appliances offer a speedy installation with push & clip flue turret connections and no need for compartment ventilation; the Ideal Logic can be installed out of sight into a standard kitchen cupboard.

Featuring a simple diagnostics display, the Logic range is compatible with a range of optional timers and is the perfect choice for the replacement or new installation.

2 year warranty only valid if registered within 30 days of installation.

Terms and conditions apply, please visit www.idealheating.com for full details.



Features and Benefits



- Energy Saving Trust recommended
- 2 year parts and labour warranty
- Compact cupboard fit
- Preheat function
- Fast fix standard horizontal flue
- Wide range of additional flueing options
- Low lift weight (33kg)
- Preformed copper tails
- Pre-wired mains lead (2m)
- Built-in frost protection
- Built-in filling loop
- 75mm deep translucent condensate siphon
- Universal condensate connection
- Automatic bypass
- Stand off kit including pipes
- Pre-piping kit
- Fully modulating operation to low outputs
- Compatible with a range of additional controls inc. weather compensation



Logic+ and Logic Combi

24 30 35



Flue Lengths

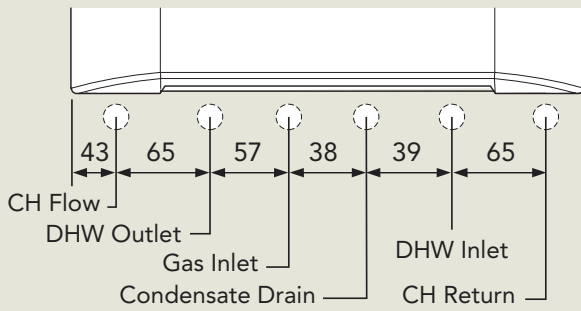
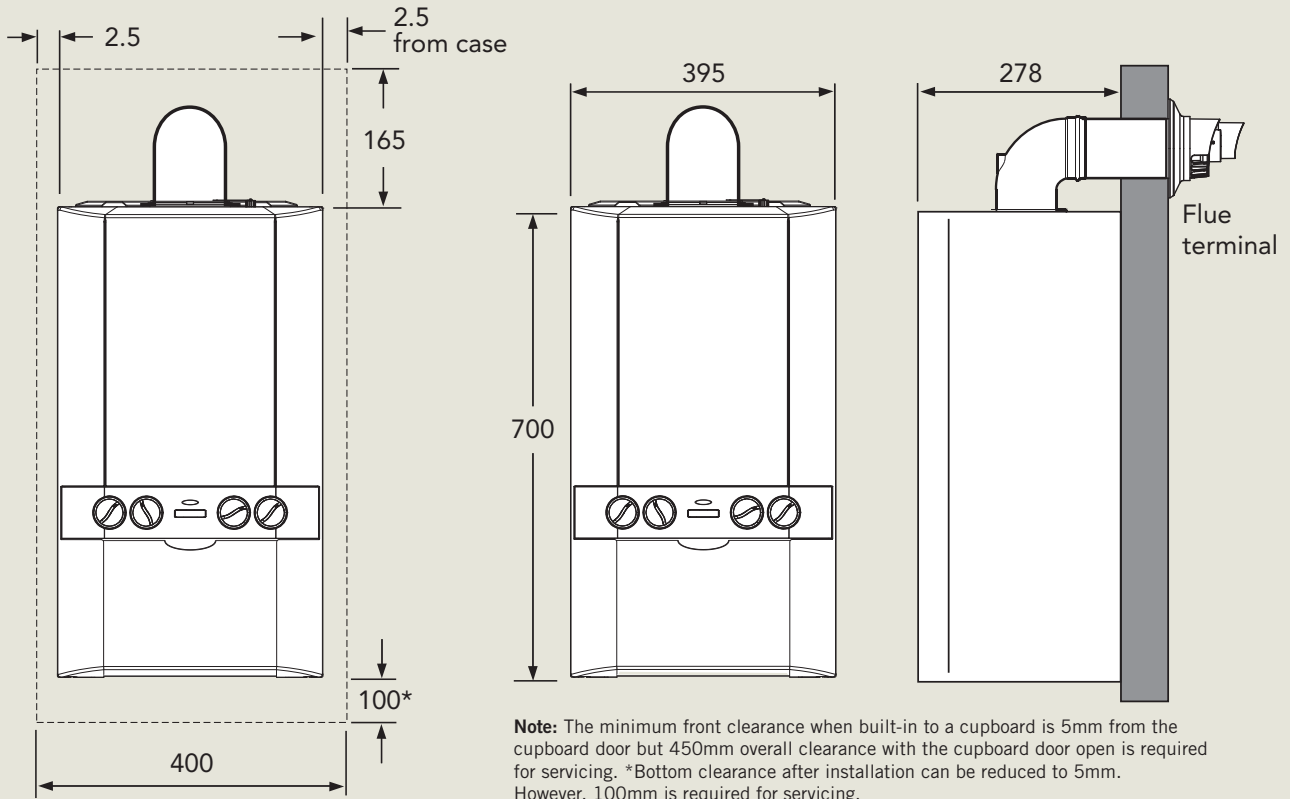
Boiler Model		Logic+ and Logic Combi		
		24	30	35
Flues	Max horizontal *	9m	8m	6m
	Max vertical *		7.5m	
	Powered Vertical †		22m	

* Each 90° elbow used is at the expense of 1000mm of straight flue run, and each 45° elbow is used at the expense of 600mm of straight flue run.

† Typical combined primary and secondary length. See installation instructions for more details.

Note: The Flue Deflector Kit is used at the expense of 1000mm of straight flue run.

Boiler Clearances and Dimensions



Logic Code Combi

26 33 38



The Logic Code Combi

Designed to take the headache out of meeting Building Regulations, the Logic Code Combi from Ideal is a simple one-box solution, capable of supporting up to level 4 of the Code for Sustainable homes.

Available in a choice of DHW outputs, 26 - 38 kW, the Logic Code Combi, provides a perfect solution for both new build and retro fit solutions where energy efficiency is a key concern.

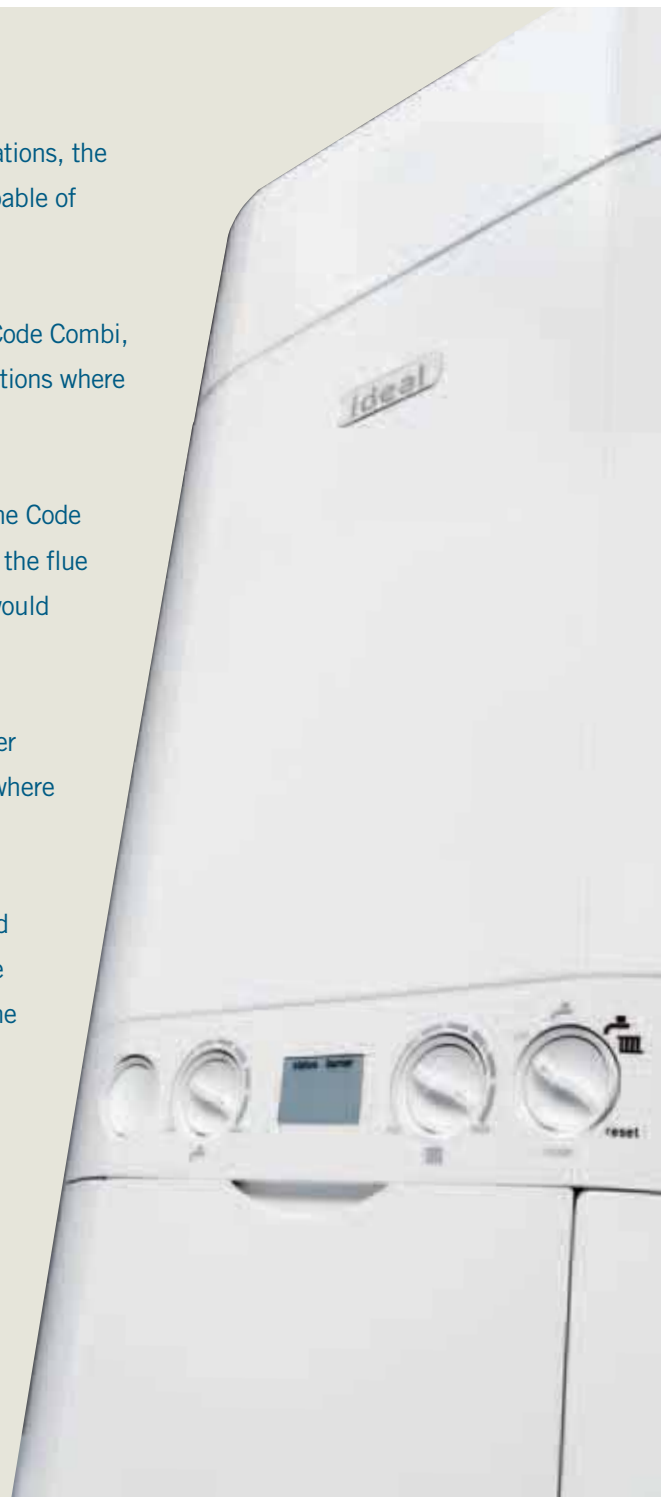
Developed using state-of-the-art advanced boiler technology, the Code Combi features a built-in stainless-steel recuperator located in the flue exit, which cleverly picks up and recycles waste energy that would have normally been lost through the flue terminal.

This energy is collected and used to warm up the cold hot water supply. This supply, then flows into the plate heat exchanger, where the desired temperature is reached.

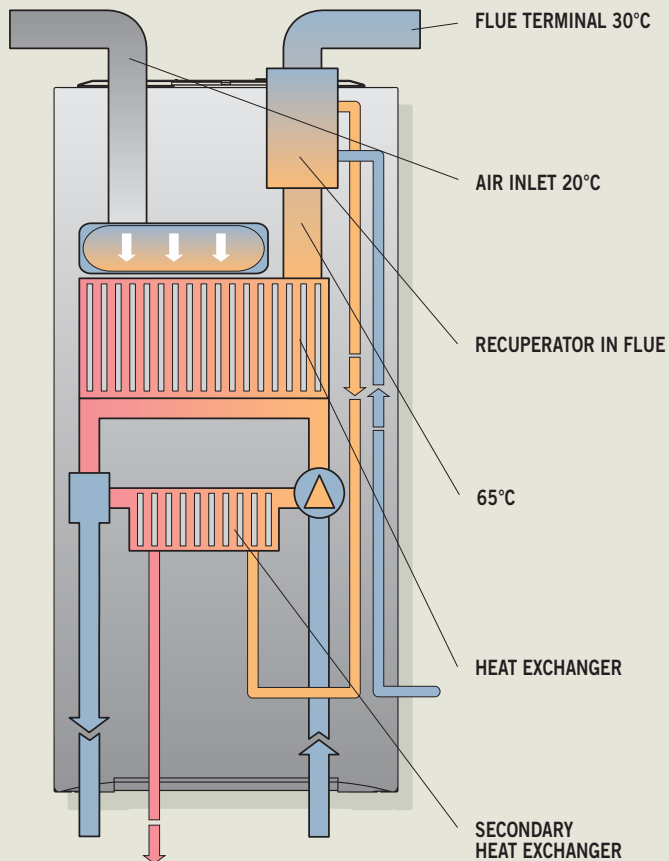
The Logic Code Combi comes complete with a 2 year parts and labour warranty, a NOx class 5 rating and a dedicated in-house design* and service network for developers and installers for the ultimate in peace of mind.

When used with controls and weather compensation, the Logic Code Combi provides the perfect no-nonsense solution for a range of domestic properties.

*A charge may apply for this service.



How does the Logic Code Combi work?



Schematic view

Operation with recuperator in flue

- Hot water tap is opened and boiler senses flow
- Burner on
- Combustion gases heat primary water heat exchanger and flue gases exit to the flue
- Cold water from mains, flows through the recuperator in the flue
- Energy from the flue gases is transferred to the in coming water
- The cooled flue gases exit the boiler
- Pre-heated water enters the boiler and is further heated by the secondary heat exchanger
- Hot water is produced at the tap



Optional timer kit

Logic Code Combi

26 33 38



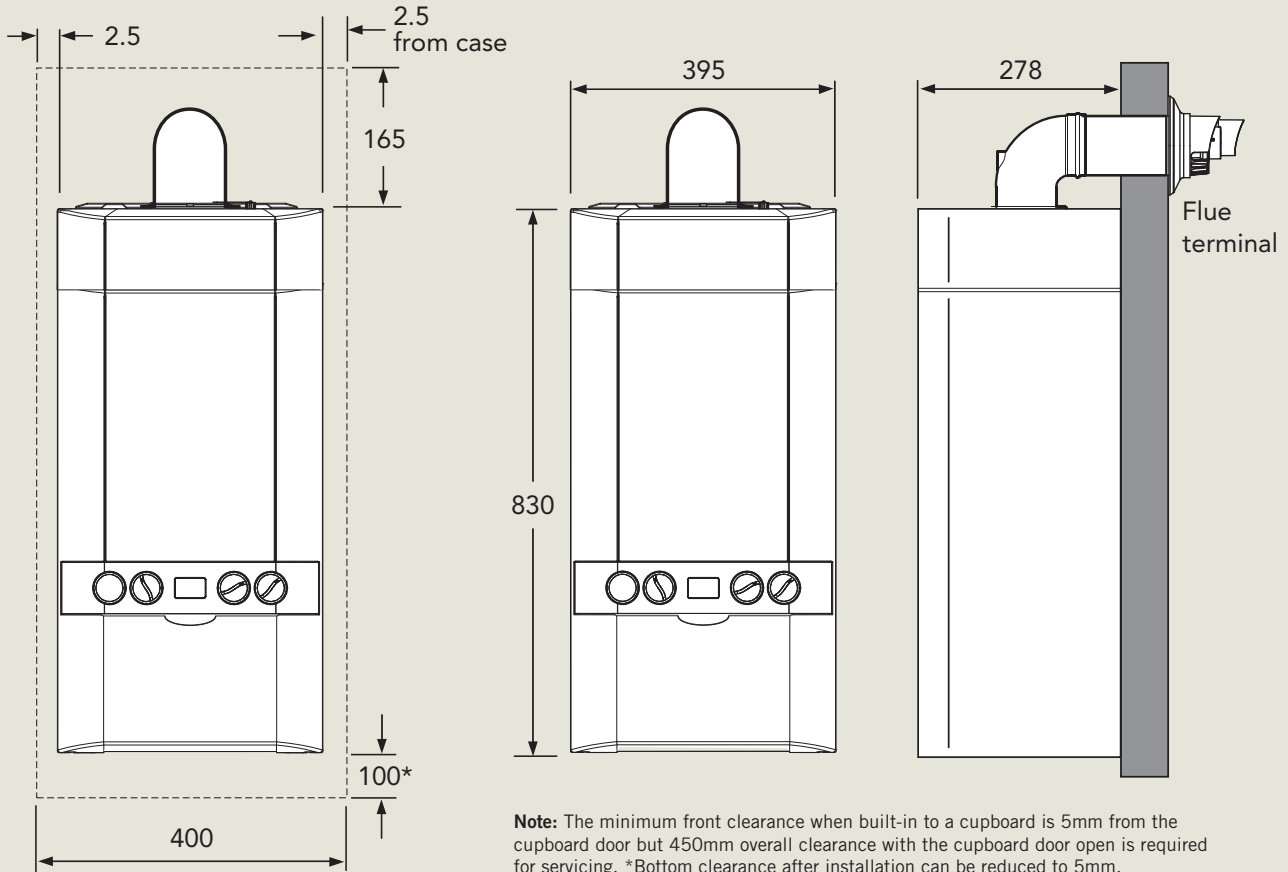
Features and Benefits



- Three models available 26, 33 & 38 kW
- One single appliance to install – quick and easy
- Built in pipework; no extra space at the side of the product needed
- Minimum overall height increase gives easier site installation
- Neat and tidy appearance
- Compact and light solution for new build or retrofit installations
- High DHW efficiency- reduced running costs
- Higher DHW flow rates than standard boiler – approximately 10% increase
- Less waste DHW water as DHW inlet is preheated
- Reduced plumbing on DHW
- 2 year parts and labour warranty



Boiler Clearances and Dimensions



Note: The minimum front clearance when built-in to a cupboard is 5mm from the cupboard door but 450mm overall clearance with the cupboard door open is required for servicing. *Bottom clearance after installation can be reduced to 5mm. However, 100mm is required for servicing.

Flue Lengths

Boiler Model		Logic Code Combi		
		26	33	38
Flues	Max horizontal *	9	8	6
	Max vertical *	7.5		
	Powered Vertical †	22		
	High Level Flue Outlet Kit	Yes		
	Direct Rear Flue Kit (55/80)	No		

* Each 90° elbow used is at the expense of 1000mm of straight flue run, and each 45° elbow is used at the expense of 600mm of straight flue length.

† Typical combined primary and secondary length. See installation instructions for more details.

Note: The Flue Deflector Kit is used at the expense of 1000mm of straight flue length.



Logic+ Heat Only

12 15 18 24 30



The Logic+ Heat Only

The Logic+ Heat range of boilers from Ideal provides an easy to install, dependable heat only solution for both new build or replacement installations alike, fully supported by a 5 year parts and labour warranty.

Available in the choice of five outputs - 12, 15, 18, 24 & 30kW, the Logic+ Heat delivers total home comfort for a wide variety of domestic properties. High SEDBUK efficiency rated and capable of modulating down to 4.8kW*, the Logic+ Heat is highly efficient and easy to operate thanks to simple controls featuring a clear digital display.

Suitable for open vent and sealed system installations, the Logic+ Heat boiler is straightforward to site. Installers have the further choice of a neat direct rear flue option, helping to speed up the installation time in retro fit situations even further.

With a compact cupboard fit, no compartment ventilation and lightweight design, the Logic+ Heat boiler can be conveniently installed into a standard kitchen cupboard*².

* (30 only - 6.1kW)

*² Please check kitchen cupboard size prior to installation.

5 year warranty only valid if registered within 30 days of installation.

Terms and conditions apply, please visit www.idealheating.com for full details.



Features and Benefits



- Energy Saving Trust recommended
- 5 year parts and labour warranty
- Compact cupboard fit
- Direct 80mm diameter rear flue option
- Wide range of flueing options
- Low lift weight (23kg)**
- Top system connections
- 75mm deep translucent condensate siphon
- Stand off kit
- Terminal wall plate kit
- Security bracket kit
- Fully modulating operation down to 4.8kW**2
- Weather compensation kit option
- Boiler frost protection
- Low minimum head requirement
- Water flow sensor

** Weight with front panel removed

**2 (30 only - 6.1kW)



Logic Heat Only

12 15 18 24 30



The Logic Heat Only

Incorporating the latest in heating design and technology, the Logic Heat is an outstanding heat only solution for both new build or replacement installations alike. Available in the choice of five outputs - 12, 15, 18, 24 & 30kW, the Logic Heat will deliver total home comfort for a wide range of domestic properties.

Suitable for open vent and sealed systems, the Logic heat boiler is straightforward to site and install. Benefiting from no compartment ventilation, compact fit, and a lightweight design means the boiler can be neatly installed out of sight into a kitchen cupboard*. Installers have the further choice of a neat direct rear flue option as required, helping to speed up the installation in retro fit situations even further.

High SEDBUK efficiency rated and capability of modulating down to 4.8kW*², the Logic heat is highly efficient and easy to operate thanks to straightforward controls featuring a clear digital display.

Supported by a 2 year parts and labour warranty, the Logic heat is a reliable and efficient heat only solution for domestic installations.

*Please check kitchen cupboard size prior to installation.

*² (30 only - 6.1kW)

2 year warranty only valid if registered within 30 days of installation.

Terms and conditions apply, please visit www.idealheating.com for full details.



Features and Benefits



- Energy Saving Trust recommended
- 2 year parts and labour warranty
- Compact cupboard fit
- Direct 80mm diameter rear flue option
- Wide range of flueing options
- Low lift weight (23kg)**
- Top system connections
- 75mm deep translucent condensate siphon
- Stand off kit
- Terminal wall plate kit
- Security bracket kit
- Fully modulating operation down to 4.8kW**2
- Weather compensation kit option
- Boiler frost protection
- Low minimum head requirement
- Water flow sensor

** Weight with front panel removed

**2 (30 only - 6.1kW)

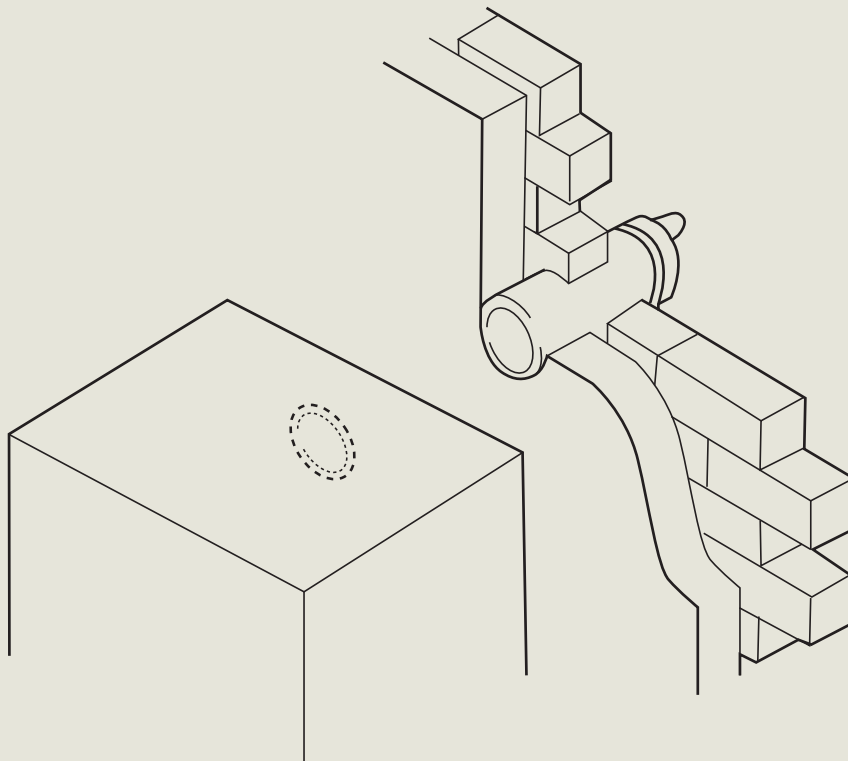


Logic+ and Logic Heating Only

12 15 18 24 30



Rear Outlet Flue Terminal (55/80) - 80mm



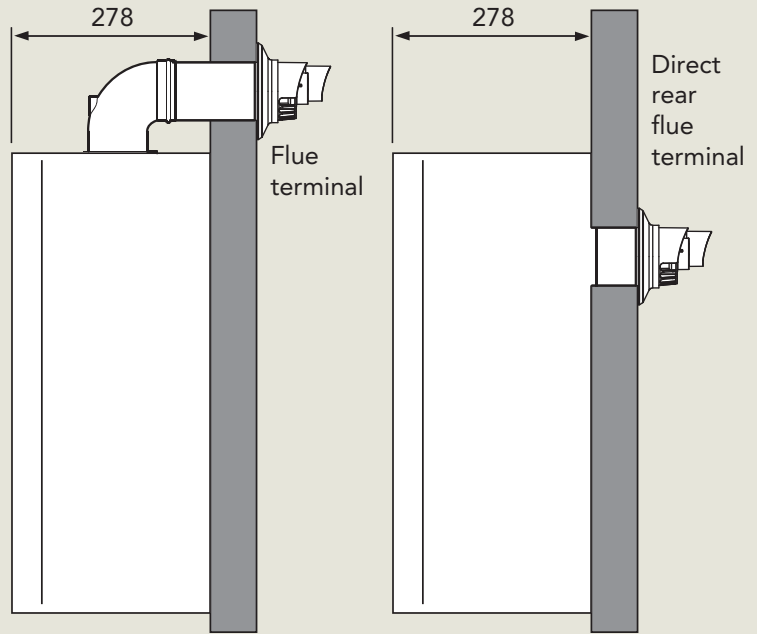
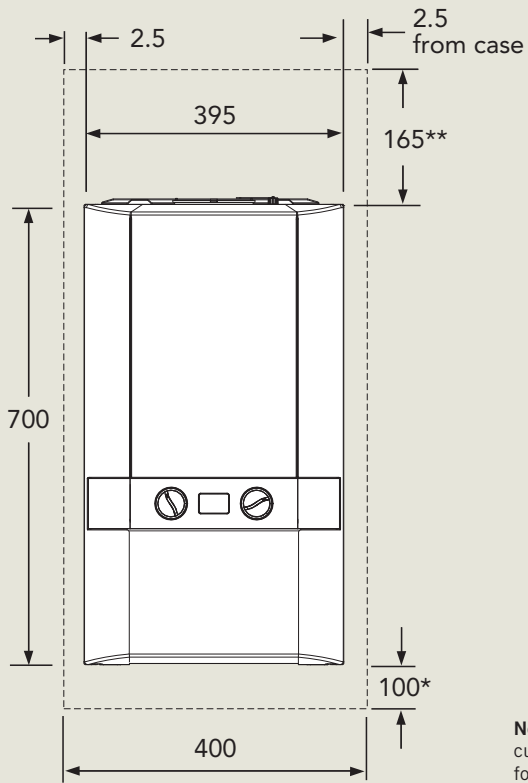
Note:
 Maximum wall thickness 442mm.
 Minimum wall thickness permissible is 115mm.
 No extensions are permitted.

Flue Lengths

Boiler Model		Logic+ and Logic Heat Only				
		12	15	18	24	30
Flues	Max horizontal	9m				8m
	Max vertical	7.5m				
	Powered Vertical	22m				

Also available:
 High Level Flue
 Outlet Kit/ Direct
 Rear Flue Kit
 (55/80)

Boiler Clearances and Dimensions



Note: The minimum front clearance when built-in to a cupboard is 5mm from the cupboard door but 450mm overall clearance with the cupboard door open is required for servicing. *Bottom clearance after installation can be reduced to 5mm. However, 100mm is required for servicing.**Rear flue option - top clearance 100mm.



Logic+ System

15 18 24 30



The Logic+ System

The Logic+ System range of appliances from Ideal provide a reliable sealed system solution, complete with a 5 year parts and labour warranty for the ultimate in home comfort and total piece of mind.

High SEDBUK efficiency rating and available in a choice of four outputs - 15, 18, 24 and 30kW, the Logic+ system is suitable for a wide variety of sealed domestic systems and features a lightweight compact cupboard fit design*. Concealed connections at the base and no compartment ventilation required means the Logic+ System can be conveniently located out of sight in new or replacement installations.

Product design and quality is paramount within the Logic+ system range; additional features such as plated internal pipe work, spare fuses and a PRV wall outlet pipe all ensure total reliability and a hassle free installation.

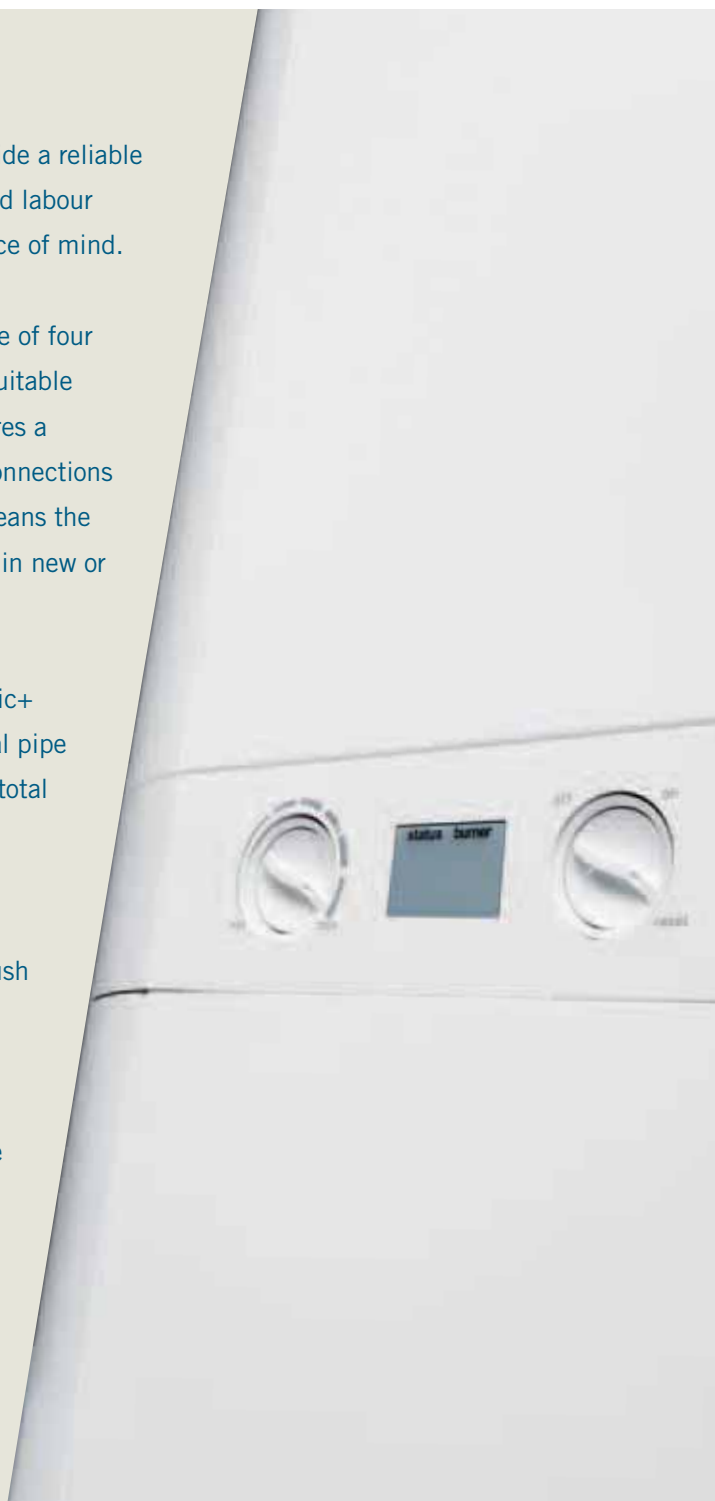
Siting and installing a Logic+ System is straightforward when a simple telescopic flue is used, complete with push & clip flue turret connections. Alternative fluing options are also available as required.

With additional extended warranty options available, the Logic+ System provides simple, reliable heating control from a single compact appliance.

*Please check kitchen cupboard size prior to installation.

5 year warranty only valid if registered within 30 days of installation.

Terms and conditions apply, please visit www.idealheating.com for full details.



Features and Benefits



- Energy Saving Trust recommended
- 5 year parts and labour warranty
- Compact Cupboard fit
- Wide range of flueing options
- Concealed pipe connections
- Low lift weight (28kg)**
- Boiler frost protection
- Built in condensate trap
- Prewired mains lead
- Preformed copper tails
- Digital display and simple diagnostics
- Stand off kit and pre pipe options
- Fully modulating operation down to 4.8kW
- PRV Wall Outlet Pipe
- Weather compensation kit option

** Weight with front panel removed



Logic System

15 18 24 30



The Logic System

High SEDBUK efficiency rating and easy to install, the Logic System range of appliances from Ideal provide a simple and reliable solution for a wide variety of sealed domestic systems.

Available in a choice of four outputs - 15, 18, 24 and 30kW, the Logic System provides a dependable and efficient solution for new and replacement installations alike. Siting and installing a Logic System is hassle free thanks to a simple telescopic flue option. Time saving push & clip flue turret connections and a wide range of alternative fluing solutions help to ensure the product is installed quickly and efficiency in virtually any domestic situation.

With a lightweight design, concealed connections at the base and no compartment ventilation required, the Logic System can be conveniently fitted out of sight into a standard kitchen cupboard*.

Complete with a 2 year parts and labour warranty and with additional extended warranty options available, the Logic System boiler provides simple heating control, all from a single compact appliance.

*please check kitchen cupboard size prior to installation.

2 year warranty only valid if registered within 30 days of installation.

Terms and conditions apply, please visit www.idealheating.com for full details.



Features and Benefits



- Energy Saving Trust recommended
- 2 year parts and labour warranty
- Compact Cupboard fit
- Wide range of flueing options
- Concealed pipe connections
- Low lift weight (28kg)**
- Boiler frost protection
- Built in condensate trap
- Prewired mains lead
- Preformed copper tails
- Digital display and simple diagnostics
- Stand off kit and pre pipe options
- Fully modulating operation down to 4.8kW
- Weather compensation kit option

**Weight with front panel removed



Logic+ and Logic System

15 18 24 30

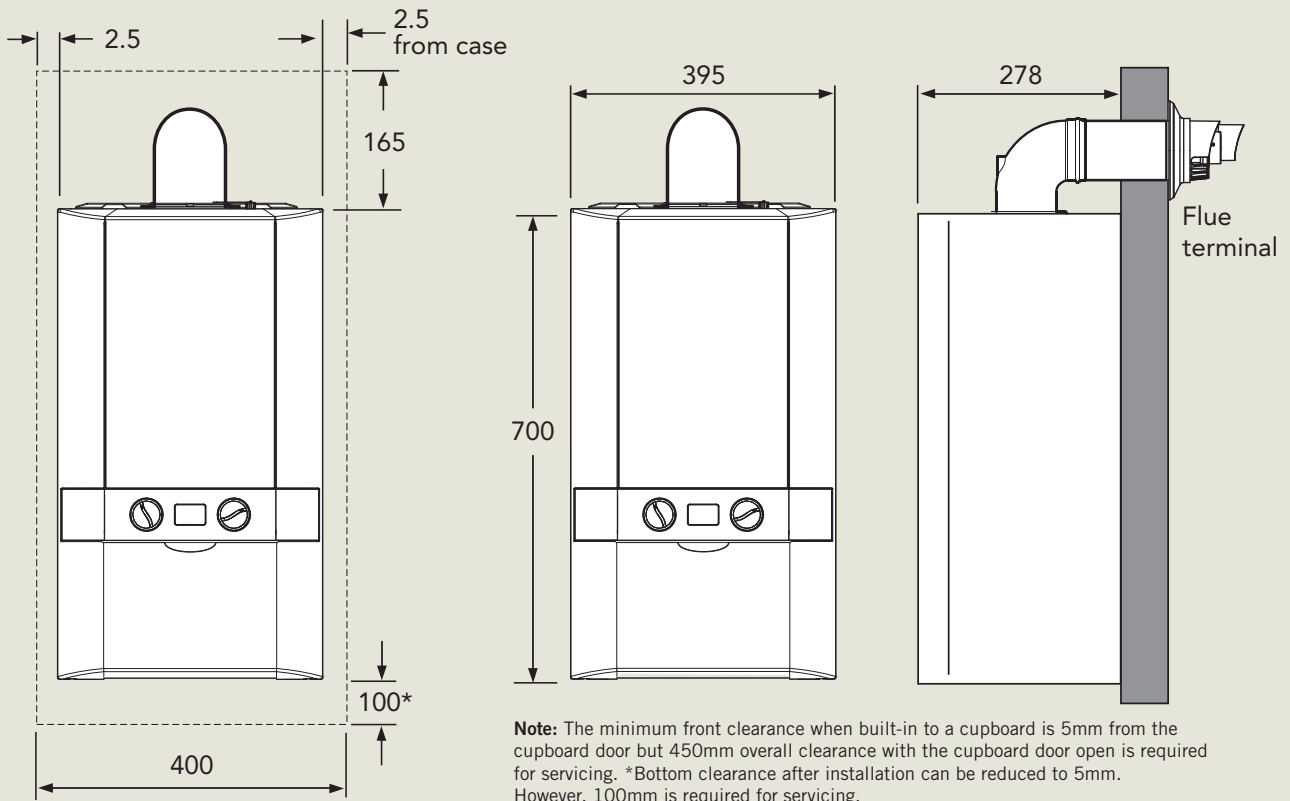


Flue Lengths

Boiler Model		Logic+ and Logic System			
		15	18	24	30
Flues	Max horizontal	9m			8m
	Max vertical	7.5m			
	Powered Vertical	22m			

Also available:
High Level Flue
Outlet Kit

Boiler Clearances and Dimensions



Logic+, Logic and Logic Code Combi Controls (Combi Only)

Programmable Thermostats and Timers

Here at Ideal we believe that choosing the right control to meet the needs of your customer is almost as important as choosing the right product; this is why the Logic+, Logic and Logic Code combi ranges are fully compatible with a range of thermostats and timers for the ultimate in home comfort.



Mechanical Timer

(Part No. 204839)

Simple heating and hot water control through a plug in analogue timer.



Electronic Timer

(Part No. 204545)

Easy to use heating and hot water control through a plug in digital timer. Plain text operating and diagnostics information.

External room controls:

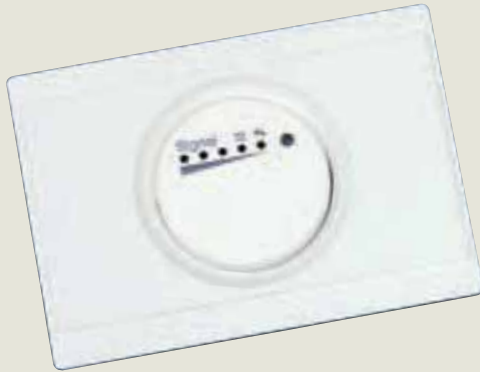


RF Mechanical Programmable Thermostat

(Part No. 204824)

Wireless Radio Frequency (RF) analogue timer providing heating and hot water control.





RF Electronic Programmable Thermostat

(Part No. 204789)

Wireless Radio Frequency (RF) digital timer providing heating and hot water control. Plain text operating and diagnostics information.



Logic+, Logic and Logic Code Combi Controls (Combi, Heat and System)

Weather compensation

Outdoor sensor

(Part No. 204914 - Combi models only)

(Part No. 206152 - Heat and System models)

The Logic+, Logic and Logic Code combi ranges provide weather compensation when fitted with an outdoor sensor (which is available as an optional accessory).

Weather compensation works by measuring the temperature outside the home and adjusting the temperature (or flow) of the radiators inside. If the weather is particularly cold outside, the outdoor sensor will communicate with the boiler intelligently to increase the radiator temperature. This process also works in reverse, as the outdoor temperature increases, the flow to the radiators too will decrease.



This process allows the system to operate more efficiently by only heating to the minimum temperature necessary and also preventing spikes in heating activity.

Mexico HE Heat Only

15 18 24 30 36



The Mexico HE

High SEDBUK efficiency rated and floor standing, the Mexico range of heat only boilers from Ideal are the perfect solution for the replacement installation.

Ideal for situations when an old standard efficiency boiler is being taken out, the Mexico offers a quick and hassle free installation and benefits from a pre-piping frame which allows all connections to be made before the boiler is slid into place. No compartment ventilation means the boiler can be installed under worktops and behind cupboard doors, while a range of flue options, both horizontal and vertical, provide advanced siting flexibility.

Recommended by the Energy Saving Trust, the Mexico is available in the choice of five outputs and comes complete with an easy to use control panel featuring a status and diagnostics display.

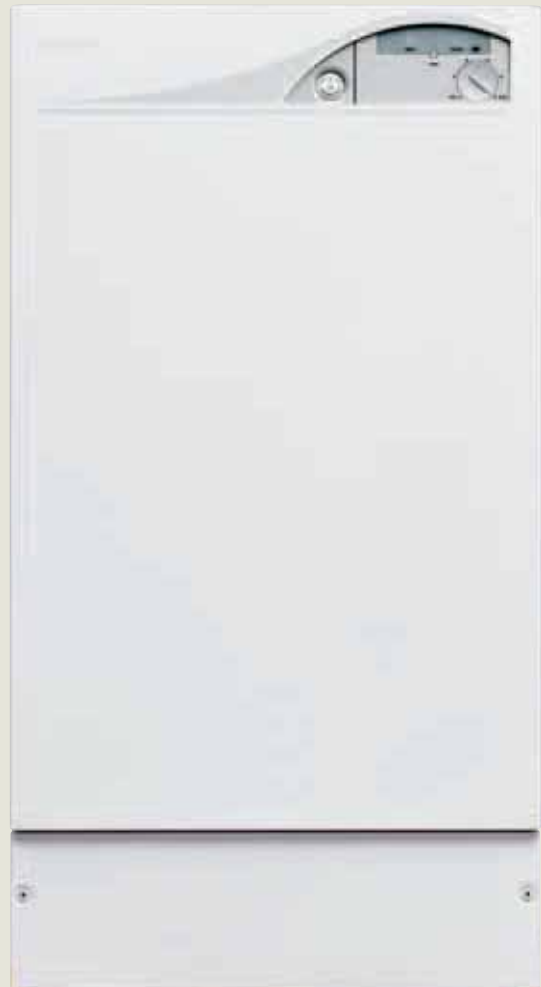
Complete with a one year parts and labour warranty and with additional extended warranty options available, the Ideal Mexico provides straightforward heating control from a single floor standing appliance.



Features and Benefits

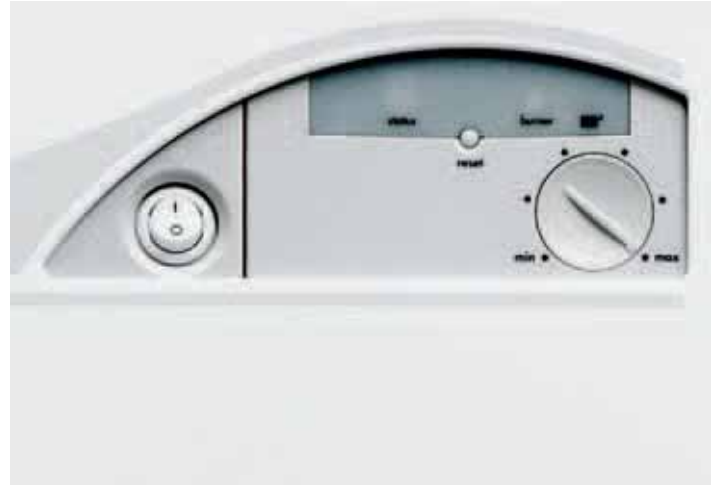


- Energy Saving Trust recommended
- Compact, floor-standing
- Pre-piping frame
- Perfect for replacement installations
- No ventilation required
- Available with a wide range of flueing options
- Alpha-numeric operation display
- Readily visible control panel
- Status and diagnostic display
- Optional convenient user controls
- 1 year parts and labour warranty
- Extended warranty options available
- Optional condensate pump available



Mexico HE
Heat Only

15 18 24 30 36



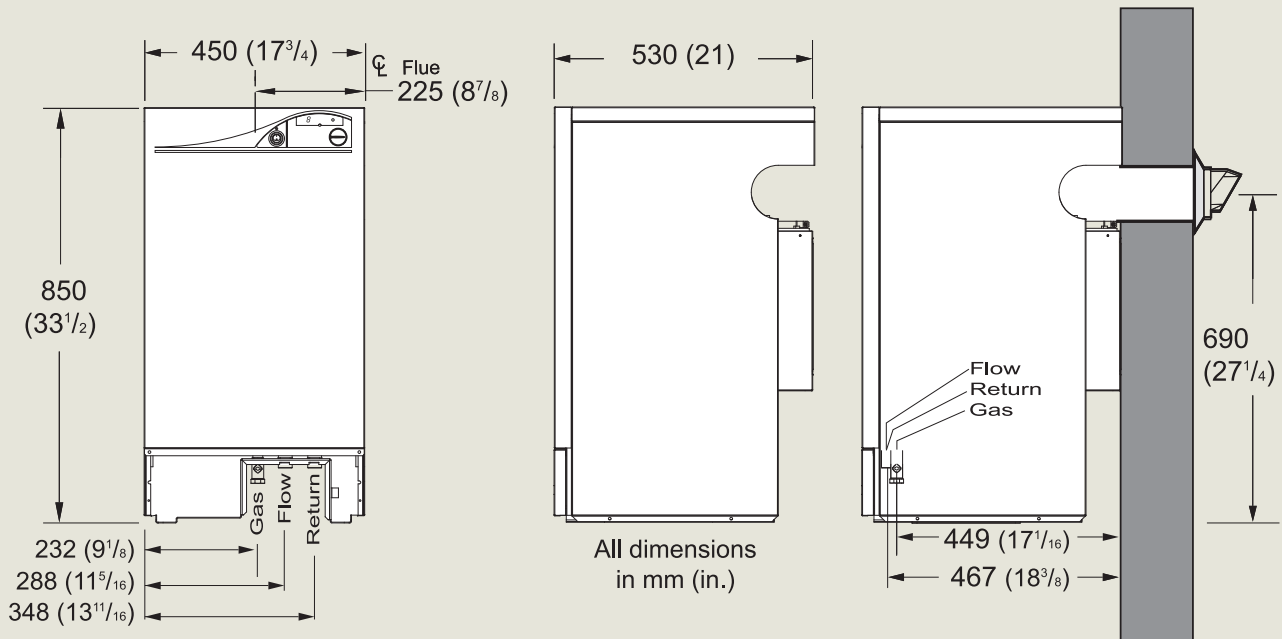
Flue Lengths

Boiler Model		Mexico HE				
		15	18	24	30	36
Flues	Max horizontal	6m			3m	
	Max vertical	7.5m			5m	
	Powered Vertical	22m			N/A	

Note: Each 90° elbow used is at the expense of 1500mm of straight flue run, and each 45° elbow is used at the expense of 1000mm of straight run.

The flue Deflector kit is used at the expense of 1000mm of straight flue run.

Boiler Clearances and Dimensions



Flue plumbing is a by-product of efficiency. Please be aware of terminal positions to avoid complaints.

For full technical details please refer to the Installation and Servicing Instructions provided with the product.

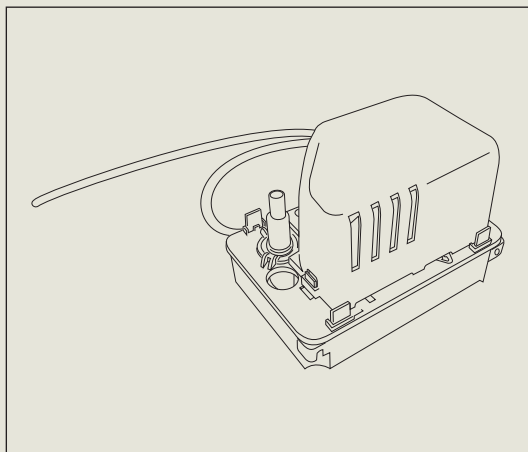
The flue duct must be inclined at a minimum of 1.5 degrees to the horizontal to allow the condensate to be properly drained if using flue extensions.

Note: Lengths are measured from the flue elbow centre line.
 This position is as follows:
 Rear Outlet: 75mm from rear jacket to flue centre line.
 Side Outlet: 225mm from boiler side panel to flue centre line.



Boiler Accessories

Condensate Pump

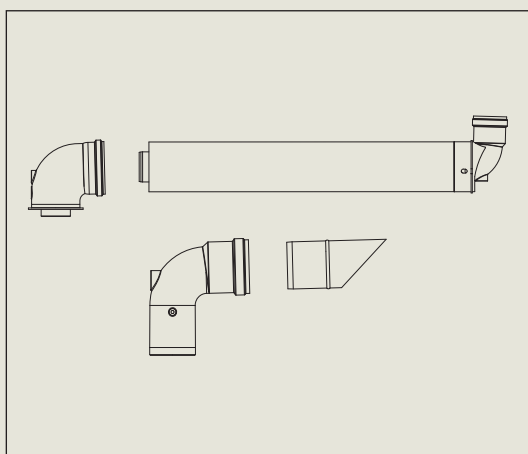


The Ideal Condensate Pump offers a quick and easy solution to overcome many siting problems.

Designed to remove the condensate from condensing boilers and out into a suitable waste system, the pump is a simple and effective solution for boilers installed in basements and difficult locations.

Reliable and compact, the condensate pump can be installed quickly and efficiently with any Ideal condensing boiler.

High level flue outlet kit



Simple to install, the high level flue outlet kit from Ideal ensures that condensing plume needn't be an issue on any installation.

Quick and easy to install, the simple black kit comprises of a concentric terminal (including 90° flue elbow and a 60mm flue elbow and terminal). One metre extensions are available to suit site requirements.

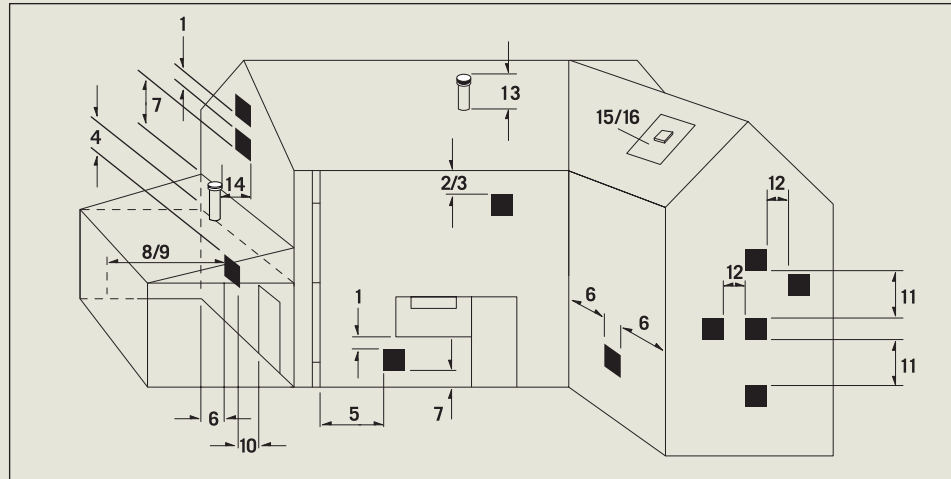
The clever pack allows the plume to be exhausted neatly away from the low level zone.

Flue Siting

There are a substantial number of fluing options available with the Ideal ranges, giving excellent siting flexibility for almost all applications.

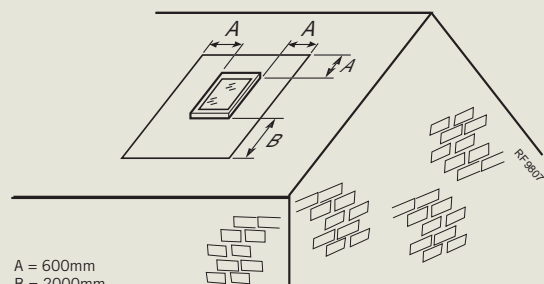
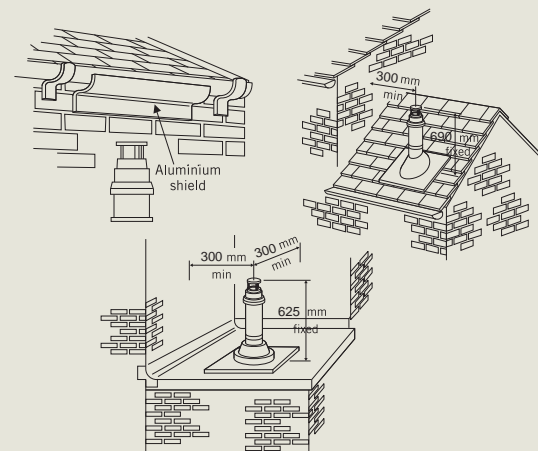
The range of options include standard and telescopic flues as well as roof flue and powered vertical flue options.

To ensure siting issues are kept to a minimum High Level Flue Outlet kit options and Flue Deflector kits are available.



Minimum dimensions of flue terminal positions.

Flue terminal position	Min. Spacing
1. Directly below, above or alongside an opening window, air vent or other ventilation opening.	300mm (12")
2. Below guttering, drain pipes or soil pipes. BS5440-1 2008	25mm (1")* 75mm (3")
3. Below eaves. BS5440-1 2008	25mm (1")* 200mm (8")
4. Below balconies or car port roof. BS5440-1 2008	25mm (1")* 200mm (8")
5. From vertical drain pipes or soil pipes. BS5440-1 2008	25mm (1")* 150mm (6")
6. From an internal or external corner or to a boundary alongside the terminal. BS5440-1 2008	25mm (1")* 300mm (12")
7. Above ground, roof or balcony level.	300mm (12")
8. From a surface or a boundary facing a terminal.	600mm (24")
9. From a terminal facing a terminal.	1200mm (48")
10. From an opening in a car port (eg. door or window) into dwelling.	1200mm (48")
11. Vertically from a terminal on the same wall.	1500mm (60")
12. Horizontally from a terminal on the wall.	300mm (12")
Vertical flues	
13. Above the roof pitch with roof slope of all angles. Above flat roof.	300mm (12") 300mm (12")
14. From a single wall face. From corner walls.	300mm (12") 300mm (12")
15. Below velux window.	2000mm (79")
16. Above or side of velux window.	600mm (24")



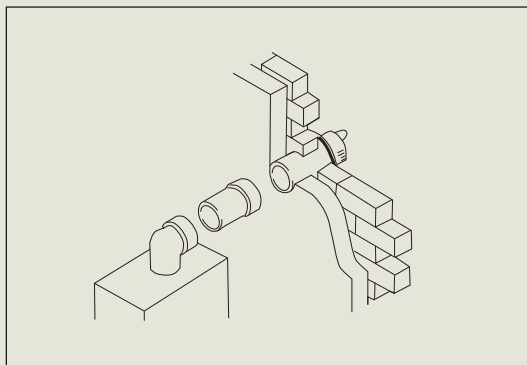
The flue terminal shall not penetrate the shaded area of the roof

* Only one reduction down to 25mm is allowable per installation otherwise BS5440-1 2008 dimensions must be followed.

Flueing - Logic+ and Logic Combi, Heat Only and System Boilers

(For Logic+ & Logic Heat only - Rear Outlet Flue (55/80) see P.42)

Horizontal Concentric – 100mm Diameter



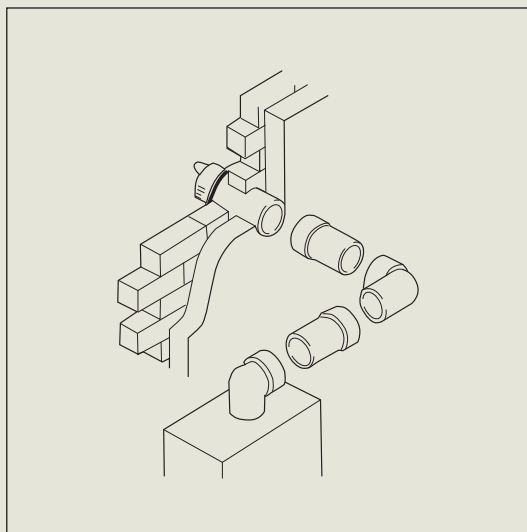
Flue	Ideal Part No.	Maximum straight flue length (mm)
Standard Horizontal B pack (logic)	204644	640
Telescopic B pack flue (logic +)	204768	575
Standard Horizontal B pack + 6 x extension Pack D (Logic)	204644 6 x 203129	6340 (35 max length 6m)
Telescopic B pack flue + 6 x extension Pack D (Logic +)	204768 6 x 203129	6275 (35 max length 6m)
Standard Horizontal B pack + 8 x extension Pack D (Logic)	204644 8 x 203129	8240 (30 max length 8m)
Telescopic B pack flue + 8 x extension Pack D (Logic +)	204768 8 x 203129	8175 (30 max length 8m)
Standard Horizontal B pack + 9 x extension Pack D (Logic)	204644 9 x 203129	9000 (12-24 models)
Telescopic B pack flue + 9 x extension Pack D (Logic +)	204768 9 x 203129	9000 (12-24 models)

Note:

The Standard Horizontal B pack flue is supplied unless otherwise requested with the Logic.
The Telescopic B Pack Flue is supplied unless otherwise requested with the Logic+.

Lengths are from centre line of boiler outlet to outside wall face.
Where extension D Packs are cut to length, flared end connector must be retained.

Horizontal Flue with 1 x 90° Elbow

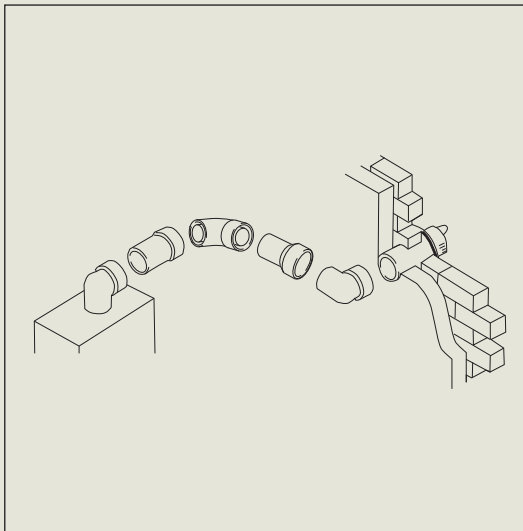


Flue	Ideal Part No.	Maximum straight flue length (mm)
Standard Horizontal B pack + 90° Elbow (Logic)	204644 203130	640
Telescopic B pack flue + 90° Elbow (logic +)	204768 203130	575
Standard Horizontal B pack + 5 x Extension Pack D + 90° Elbow (Logic)	204644 5 x 203129 203130	5390 (35 max length 5m. + 1x 90° Elbow)
Telescopic B pack flue + 5 x Extension Pack D + 90° Elbow (logic +)	204768 5 x 203129 203130	5325 (35 max length 5m. + 1x 90° Elbow)
Standard Horizontal B pack + 7 x Extension Pack D + 90° Elbow (Logic)	204644 7 x 203129 203130	7290 (30 max length 7m. + 1x 90° Elbow)
Telescopic B pack flue + 7 x Extension Pack D + 90° Elbow (logic +)	204768 7 x 203129 203130	7225 (30 max length 7m. + 1x 90° Elbow)
Standard Horizontal B pack + 8 x Extension Pack D + 90° Elbow (Logic)	204644 8 x 203129 203130	8000 (12-24 models max length 8m. + 1x 90° Elbow)
Telescopic B pack flue + 8 x Extension Pack D + 90° Elbow (logic +)	204768 8 x 203129 203130	8000 (12-24 models max length 8m. + 1x 90° Elbow)

Note:

Lengths are sum of all straight lengths between centre lines/outside wall face.
Numbers of extension D packs give flexibility of lengths of straight at either side of elbow.
Where extension D packs are cut to length, flared end connector must be retained.

Horizontal Flue with 2 x 90° Elbow

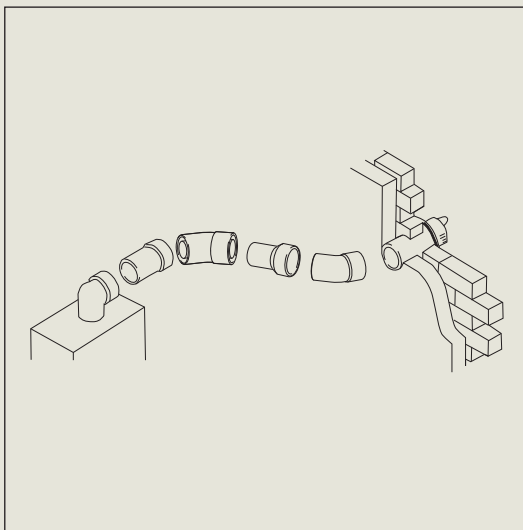


Flue	Ideal Part No.	Maximum straight flue length (mm)
Standard Horizontal B pack + 2 x 90° Elbow (Logic)	204644 2 x 203130	640
Telescopic B pack flue + 2 x 90° Elbow (logic +)	204768 2 x 203130	575
Standard Horizontal B pack + 4 x Extension Pack D + 2 x 90° Elbow (Logic)	204644 4 x 203129 2 x 203130	4440 (35 max length 4m. + 2x 90° Elbow)
Telescopic B pack flue + 4 x Extension Pack D + 2 x 90° Elbow (Logic)	204768 4 x 203129 2 x 203130	4375 (35 max length 4m. + 2x 90° Elbow)
Standard Horizontal B pack + 6 x Extension Pack D + 2 x 90° Elbow (Logic)	204644 6 x 203129 2 x 203130	6340 (30 max length 6m. + 2x 90° Elbow)
Telescopic B pack flue + 6 x Extension Pack D + 2 x 90° Elbow (Logic)	204768 6 x 203129 2 x 303130	6275 (30 max length 6m. + 2x 90° Elbow)
Standard Horizontal B pack + 7 x Extension Pack D + 2 x 90° Elbow (Logic)	204644 7 x 203129 2 x 203130	7000 (12-24 models max length 7m. + 2x 90° Elbow)
Telescopic B pack flue + 7 x Extension Pack D + 2 x 90° Elbow (Logic)	204768 7 x 203129 2 x 203130	7000 (12-24 models max length 7m. + 2x 90° Elbow)

Note:

Lengths are sum of all straight lengths between centre lines/outside wall face.
Numbers of extension D packs give flexibility of lengths of straight at either side of elbow.
Where extension D packs are cut to length, flared end connector must be retained.

Horizontal Flue with 2 x 45° Elbow



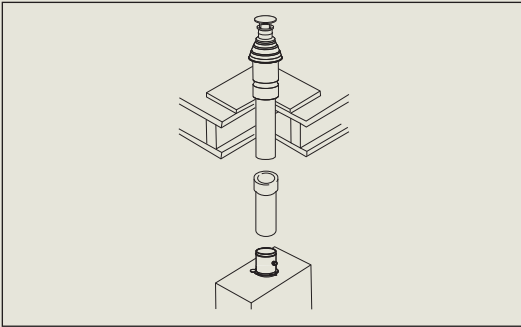
Flue	Ideal Part No.	Maximum straight flue length (mm)
Standard Horizontal B pack + 2 x 45° Elbow (Logic)	204644 203131	640
Telescopic B pack flue + 2 x 45° Elbow (logic +)	204768 203131	575
Standard Horizontal B pack + 5 x Extension Pack D + 2 x 45° Elbow (Logic)	204644 5 x 203129 203131	5390 (35 max length 4.8m. + 2 x 45 Elbow)
Telescopic B pack flue + 5 x Extension Pack D + 2 x 90° Elbow (logic +)	204768 5 x 203129 203131	5325 (35 max length 4.8m. + 2 x 45 Elbow)
Standard Horizontal B pack + 7 x Extension Pack D + 2 x 45° Elbow (Logic)	204644 7 x 203129 203131	7290 (30 max length 6.8m. + 2 x 45 Elbow)
Telescopic B pack flue + 7 x Extension Pack D + 2 x 45° Elbow (Logic)	204768 7 x 203129 203131	7225 (30 max length 6.8m. + 2 x 45 Elbow)
Standard Horizontal B Pack + 8 x Extension Pack D + 2 x 45° Elbow (Logic)	204644 8 x 203129 203131	7800 (12-24 models max length 7.8m. + 2 x 45 Elbow)
Telescopic B pack flue + 8 x Extension Pack D + 2 x 90° Elbow (logic +)	204768 8 x 203129 203131	7800 (12-24 models max length 7.8m. + 2 x 45 Elbow)

Note:

Lengths are sum of all straight lengths between centre lines/outside wall face.
Numbers of extension D packs give flexibility of lengths of straight at either side of elbow.
Where extension D packs are cut to length, flared end connector must be retained.

Flueing - Logic+ and Logic Combi, Heat Only and System Boilers

Roof Flue System

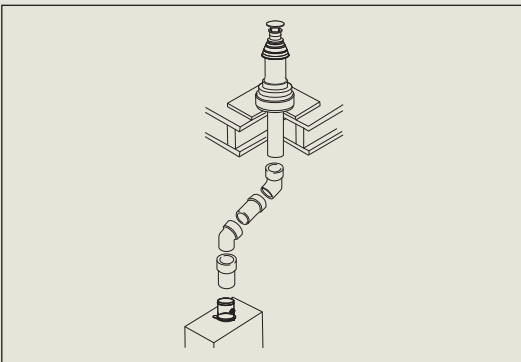


Flue	Ideal Part No.	Maximum straight flue length (mm)
Roof Flue Kit + Vertical Connector + Weather Collar	203132 204645 152258/152259*	1325
Roof Flue Kit + Vertical Connector + 7 x (max) Extension Pack D + Weather Collar	203132 204645 7 x 203129 152258/152259*	7500

Note:

* 152258: universal weather collar (suits any roof pitch) 152259: flat roof weather collar

Roof Flue System with 2 x 45° Elbow

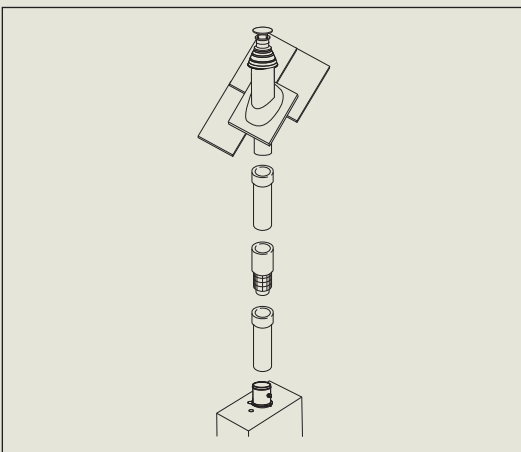


Flue	Ideal Part No.	Maximum straight flue length (mm)
Roof Flue Kit + Vertical Connector + 6 x (max) Extension Pack D + 2 x 45° Elbow + Weather Collar	203132 204645 6 x 203129 203131 152258/152259*	6300

Note:

* 152258: universal weather collar (suits any roof pitch)
152259: flat roof weather collar

Powered Vertical Flue System



Flue	Ideal Part No.	Maximum straight flue length (mm)
Powered Vertical Flue Kit + Vertical Connector + Powered Vertical Flue Terminal + Weather Collar + Extension Pack D + Secondary Flue Extension Pipe†	203136 204645 203134 152258/152259* 203129 203142	Primary and Secondary flue combined maximum 22mm**

Note: Allows the boiler to be sited in a position where no access to an outside wall is available. Permits the concentric flue to run vertically from the top of the boiler and obtain air supply within the roof space, the secondary flue continuing to the external flue terminal. Offset applications are permissible though the maximum length is reduced.

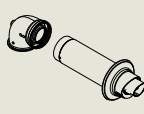
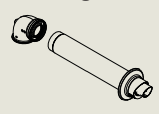
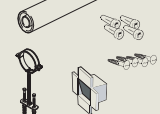


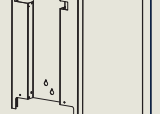
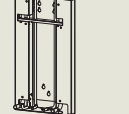
* 152258: universal weather collar (suits any roof pitch)
152259: flat roof weather collar

Where extension D packs are cut to length, the flared end connector must be retained.

† Secondary Flue extension pipes are available in 0.5, 1 and 2 metre lengths.

** See installation instructions for maximum primary and maximum secondary flue lengths.

Flueing & Installation Accessories - Logic+ and Logic Combi, Heat Only and System Boilers

<p>Telescopic B pack flue</p>  <p>Ideal Part No. 204768</p>	<p>Horizontal flue terminal (600 long)</p>  <p>Ideal Part No. 204644</p>	<p>Flue Extension 1m (Pack D)</p>  <p>Ideal Part No. 203129</p>	<p>Flue Elbow 90° kit (60/100) packaged</p>  <p>Ideal Part No. 203130</p>	<p>Flue Elbow 45° kit (60/100) packaged (pair)</p>  <p>Ideal Part No. 203131</p>	<p>Stand off kit*</p>  <p>Ideal Part No. 204913</p>	<p>Stand off kit ** Inc. piping</p>  <p>Ideal Part No. 204872</p>
--	---	--	--	--	--	--

* Combi & System only, for Heat models - 206153. ** Combi only, for System & Heat models 206154.

Installation Accessories	Ideal Part No.	Combi	Heat	System	Flueing Accessories	Ideal Part No.
Pre-piping Kit	204854	✓	✗	✗	Roof Flue Kit	203132
Pre-piping Kit	206155	✗	✗	✓	Powered vertical flue terminal 100mm	203134
Weather Compensation Kit	204914	✓	✗	✗	Flue vertical connector	204645
Weather Compensation Kit	206152	✗	✓	✓	Powered flue Kit	203136
Opentherm Harness Kit (Logic Only)	204915	✓	✗	✗	Flue Deflector 60 dia	203137
PRV Wall Outlet Pipe Kit (Logic Only)	205126	✓	✗	✓	Weather Collar (Universal) 100mm	152258
DHW Expansion vessel Kit	205419	✓	✗	✗	Weather Collar (flat roof) 100mm	152259
Condensate Pump Kit	159991	✓	✓	✓	Flue Finishing Kit	155988
Security Bracket Kit	205217	✓	✓	✓	Rear Flue Outlet kit (55/80) [†]	205990
Terminal Wall Plate Kit	206164	✗	✓	✗	Flue Finishing Kit (55/80) [†]	206151
					Balcony Flue Outlet Kit	205187
					Horizontal Flue Terminal 1000mm long	205518
					Secondary flue extension (1mx80mm) pair	203142

High Level Flue Outlet Kit

These easy to install kits allow the boiler flue outlet to be extended external to the building, upwards to provide a flue exit at high level, overcoming problems associated with plume emission.

An external 60mm diameter flue leads from the boiler terminal (which includes a 90° elbow at the flue exit) to terminate with a 90° elbow complete with grille. Push fit one metre extension pipes are used as required, and the fixing clips supplied support the system from the wall. Both 90° and 45° elbows are available to provide routing options.

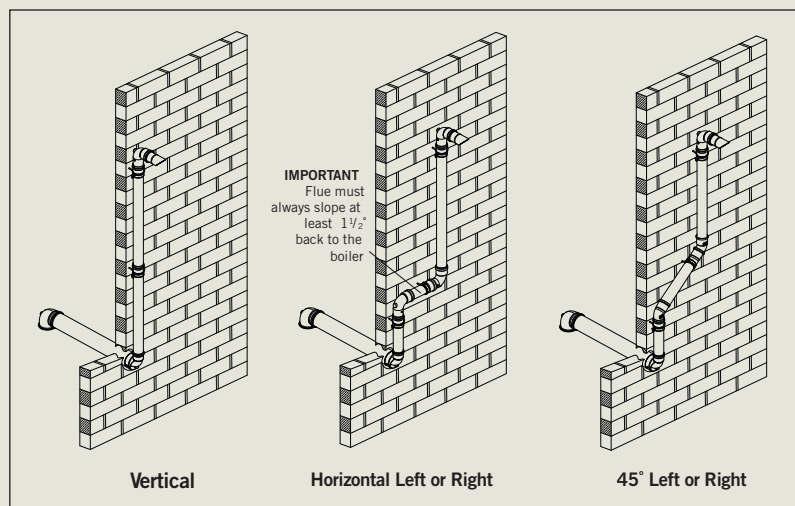
Logic+ & Logic (All models)	Ideal Part No.
High Level Flue Outlet Kit	204912
Logic+ & Logic Heat Rear Flue Outlet (55/80) ONLY High Level Flue Outlet kit (55/80)	205989
1m x 60mm extension pipe (with bracket)	203228
90° Elbow	203229
45° Elbow (pair)	203230

If additional elbows to those supplied in the High Level Flue Outlet kit are used, deduct the following resistances (metres) from the maximum boiler flue length.

Logic+ & Logic (All models)	Metres
90° Elbow	1.4
45° Elbow (pair)	1.25

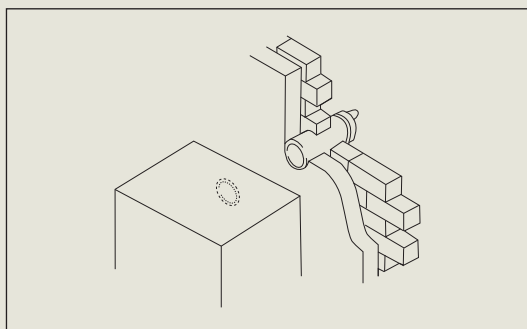
[†] Logic+ & Logic Heat ONLY

The kit comprises: Concentric terminal including fitted 90° flue elbow. (This is specified in place of the normal standard B pack terminal). 60mm flue elbow and terminal.



Flueing - Logic+ and Logic Heat Only Boilers

Rear Outlet Flue Terminal (55/80) - 80mm



Flue	Ideal Part No.	Maximum straight flue length (mm)
Rear outlet Flue Terminal	205990	442

Note:
 Length is wall thickness.
 Minimum wall thickness permissible is 115mm.
 No extensions are permitted.

Flueing accessories

Flueing Accessories	Ideal Part No.
Rear Outlet Flue Terminal (55/80)	205990
Flue Finishing Kit (55/80)	206151

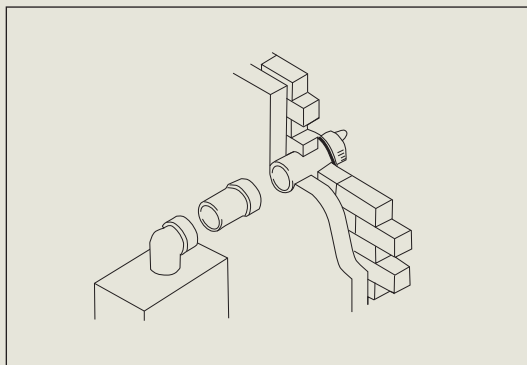
Logic & Logic+ Heat Only	Ideal Part No.
High Level Outlet Kit (55/80)	205989

For 1m extension and elbows use standard parts 203228/9 & 30



Flueing - Logic Code Combi Boilers

Horizontal Concentric – 100mm Diameter

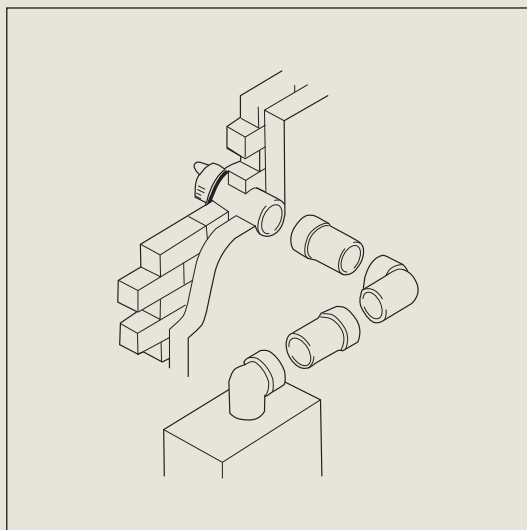


Flue	Ideal Part No.	Maximum straight flue length (mm)
Standard Horizontal B pack (logic)	204644	640
Standard Horizontal B pack + 6 x extension Pack D (Logic)	204644 6 x 203129	6340 (38 max length 6m)
Standard Horizontal B pack + 8 x extension Pack D (Logic)	204644 8 x 203129	8240 (33 max length 8m)
Standard Horizontal B pack + 9 x extension Pack D (Logic)	204644 9 x 203129	9000 (26 models)

Note:

Lengths are from centre line of boiler outlet to outside wall face.
Where extension D Packs are cut to length, flared end connector must be retained.

Horizontal Flue with 1 x 90° Elbow

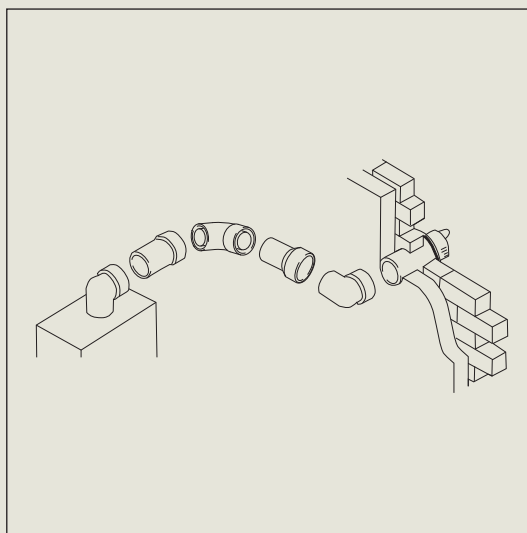


Flue	Ideal Part No.	Maximum straight flue length (mm)
Standard Horizontal B pack + 90° Elbow (Logic)	204644 203130	640
Standard Horizontal B pack + 5 x Extension Pack D + 90° Elbow (Logic)	204644 5 x 203129 203130	5390 (38 max length 5m. + 1x 90° Elbow)
Standard Horizontal B pack + 7 x Extension Pack D + 90° Elbow (Logic)	204644 7 x 203129 203130	7290 (33 max length 7m. + 1x 90° Elbow)
Standard Horizontal B pack + 8 x Extension Pack D + 90° Elbow (Logic)	204644 8 x 203129 203130	8000 (26 models max length 8m. + 1x 90° Elbow)

Note:

Lengths are sum of all straight lengths between centre lines/outside wall face.
Numbers of extension D packs give flexibility of lengths of straight at either side of elbow.
Where extension D packs are cut to length, flared end connector must be retained.

Horizontal Flue with 2 x 90° Elbow

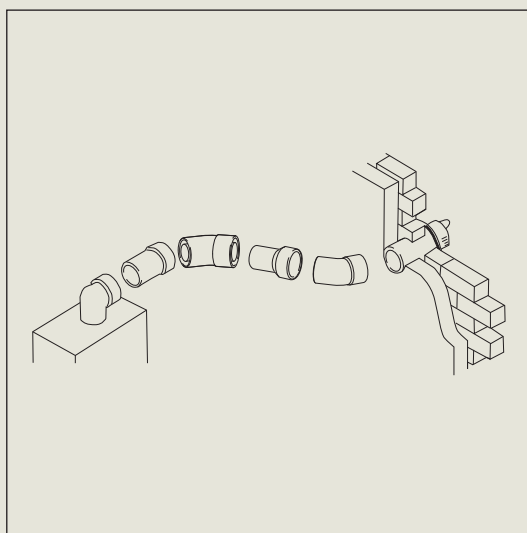


Flue	Ideal Part No.	Maximum straight flue length (mm)
Standard Horizontal B pack + 2 x 90° Elbow (Logic)	204644 2 x 203130	640
Standard Horizontal B pack + 4 x Extension Pack D + 2 x 90° Elbow (Logic)	204644 4 x 203129 2 x 203130	4440 (38 max length 4m. + 2x 90° Elbow)
Standard Horizontal B pack + 6 x Extension Pack D + 2 x 90° Elbow (Logic)	204644 6 x 203129 2 x 203130	6340 (33 max length 6m. + 2x 90° Elbow)
Standard Horizontal B pack + 7 x Extension Pack D + 2 x 90° Elbow (Logic)	204644 7 x 203129 2 x 203130	7000 (26 models max length 7m. + 2x 90° Elbow)

Note:

Lengths are sum of all straight lengths between centre lines/outside wall face.
Numbers of extension D packs give flexibility of lengths of straight at either end of elbow.
Where extension D packs are cut to length, flared end connector must be retained.

Horizontal Flue with 2 x 45° Elbow



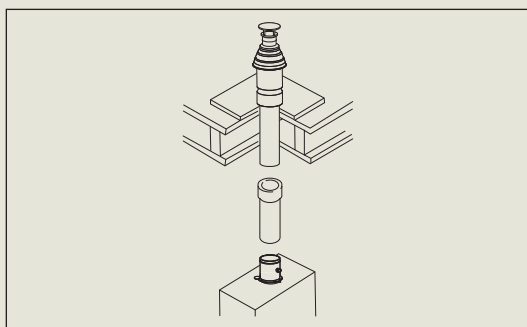
Flue	Ideal Part No.	Maximum straight flue length (mm)
Standard Horizontal B pack + 2 x 45° Elbow (Logic)	204644 203131	640
Standard Horizontal B pack + 5 x Extension Pack D + 2 x 45° Elbow (Logic)	204644 5 x 203129 203131	5390 (38 max length 4.8m. + 2 x 45 Elbow)
Standard Horizontal B pack + 7 x Extension Pack D + 2 x 45° Elbow (Logic)	204644 7 x 203129 203131	7290 (33 max length 6.8m. + 2 x 45 Elbow)
Standard Horizontal B Pack + 8 x Extension Pack D + 2 x 45° Elbow (Logic)	204644 8 x 203129 203131	7800 (26 models max length 7.8m. + 2 x 45 Elbow)

Note:

Lengths are sum of all straight lengths between centre lines/outside wall face.
Numbers of extension D packs give flexibility of lengths of straight at either end of elbow.
Where extension D packs are cut to length, flared end connector must be retained.

Flueing - Logic Code Combi Boilers

Roof Flue System

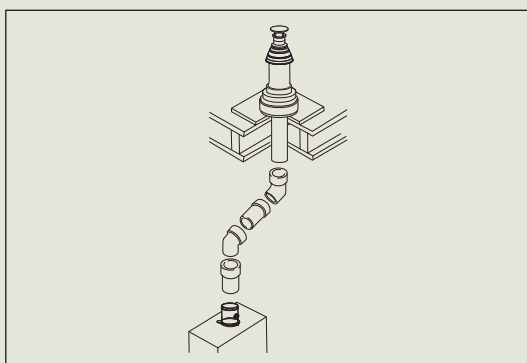


Flue	Ideal Part No.	Maximum straight flue length (mm)
Roof Flue Kit + Vertical Connector + Weather Collar	203132 204645 152258/152259*	1325
Roof Flue Kit + Vertical Connector + 7 x (max) Extension Pack D + Weather Collar	203132 204645 7 x 203129 152258/152259*	7500

Note:

* 152258: universal weather collar (suits any roof pitch) 152259: flat roof weather collar

Roof Flue System with 2 x 45° Elbow

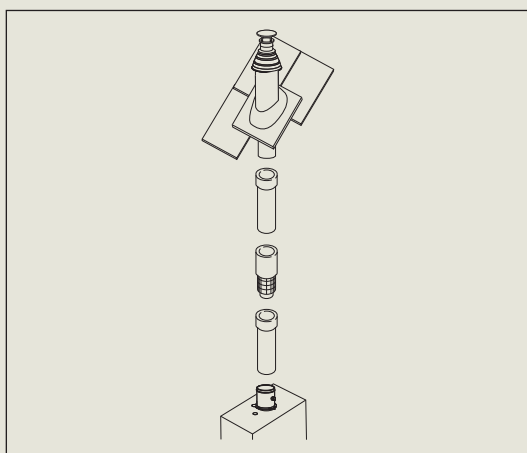


Flue	Ideal Part No.	Maximum straight flue length (mm)
Roof Flue Kit + Vertical Connector + 6 x (max) Extension Pack D + 2 x 45° Elbow + Weather Collar	203132 204645 6 x 203129 203131 152258/152259*	6300

Note:

* 152258: universal weather collar (suits any roof pitch)
152259: flat roof weather collar

Powered Vertical Flue System



Flue	Ideal Part No.	Maximum straight flue length (mm)
Powered Vertical Flue Kit + Vertical Connector + Powered Vertical Flue Terminal + Weather Collar + Extension Pack D + Secondary Flue Extension Pipe†	203136 204645 203134 152258/152259* 203129 203142	Primary and Secondary flue combined maximum 22mm**

Note: Allows the boiler to be sited in a position where no access to an outside wall is available. Permits the concentric flue to run vertically from the top of the boiler and obtain air supply within the roof space, the secondary flue continuing to the external flue terminal. Offset applications are permissible though the maximum length is reduced.

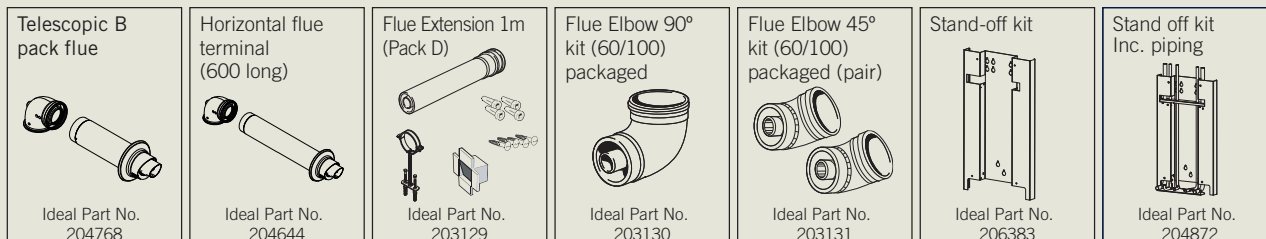
* 152258: universal weather collar (suits any roof pitch)
152259: flat roof weather collar

Where extension D packs are cut to length, the flared end connector must be retained.

† Secondary Flue extension pipes are available in 0.5, 1 and 2 metre lengths.

** See installation instructions for maximum primary and maximum secondary flue lengths.

Flueing & Installation Accessories - Logic Code Combi



Installation Accessories	Ideal Part No.
Pre-piping Kit	206704
Stand-off Kit including Upward Piping	206679
Weather Compensation Kit	204914
Opentherm Harness Kit	204915
PRV Wall Outlet Pipe Kit	205126
DHW Expansion vessel Kit	205419
Condensate Pump Kit	159991
Security Bracket Kit	206708

Flueing Accessories	Ideal Part No.
Roof Flue Kit	203132
Powered vertical flue terminal 100mm	203134
Flue vertical connector	204645
Powered flue Kit	203136
Flue Deflector 60 dia	203137
Weather Collar (Universal) 100mm	152258
Weather Collar (flat roof) 100mm	152259
Flue Finishing Kit	155988
Flue Finishing Kit (55/80)	206151
Balcony Flue Outlet Kit	205187
Horizontal Flue Terminal 1000mm long	205518
Concentric flue screw retaining kit	205024
Secondary flue extension (1mx80mm) pair	203142

High Level Flue Outlet Kit

These easy to install kits allow the boiler flue outlet to be extended external to the building, upwards to provide a flue exit at high level, overcoming problems associated with plume emission.

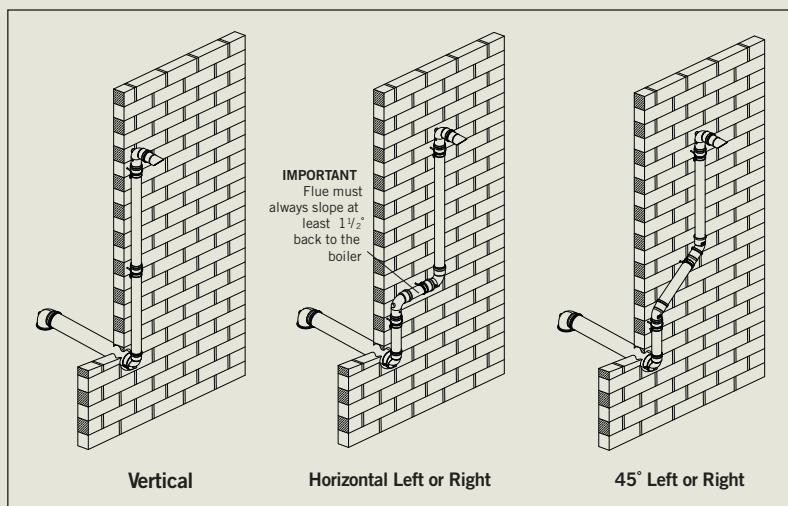
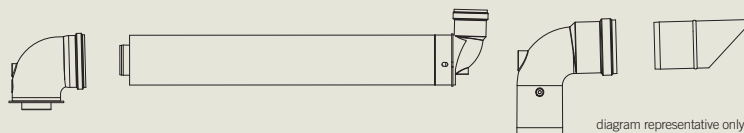
An external 60mm diameter flue leads from the boiler terminal (which includes a 90° elbow at the flue exit) to terminate with a 90° elbow complete with grille. Push fit one metre extension pipes are used as required, and the fixing clips supplied support the system from the wall. Both 90° and 45° elbows are available to provide routing options.

Logic Code Combi	Ideal Part No.
High Level Flue Outlet Kit	204912
1m x 60mm extension pipe (with bracket)	203228
90° Elbow	203229
45° Elbow (pair)	203230

If additional elbows to those supplied in the High Level Flue Outlet kit are used, deduct the following resistances (metres) from the maximum boiler flue length.

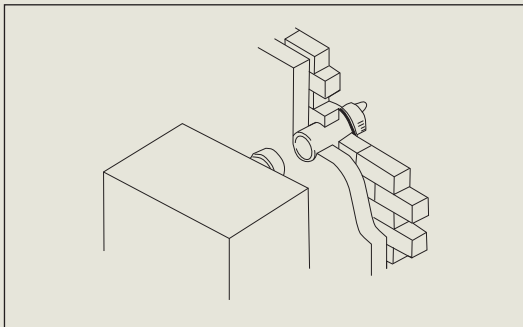
Logic Code Combi	Metres
90° Elbow	1.4
45° Elbow (pair)	1.25

The kit comprises: Concentric terminal including fitted 90° flue elbow. (This is specified in place of the normal standard B pack terminal). 60mm flue elbow and terminal.



Flueing - Mexico HE

Horizontal Flue

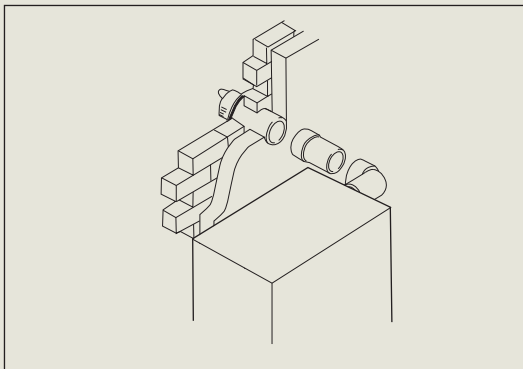


Flue	Ideal Part No.	Maximum straight flue length (mm)
Standard pack B	201816	775
Standard pack B + 3 x Extension pack D	201816 3 x 201180	3490*
Standard pack B + 6 x Extension pack D	201816 6 x 201180	6000

*Maximum HE30 & 36 length is 3000mm

Note: Where extension D packs are cut to length, flared end connector must be retained.

Horizontal Flue with 1 x 90° Elbow

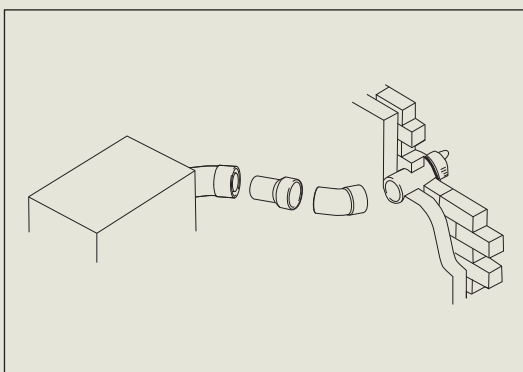


Flue	Ideal Part No.	Maximum straight flue length (mm)
Standard pack B + 90° Elbow	201816 201182	775
Standard pack B + 2 x Extension pack D (HE30/36) + 90° Elbow	201816 2 x 201180 201182	2085*
Standard pack B + 5 x Extension pack D (HE15-24) + 90° Elbow	201816 5 x 201180 201182	4500*

*Maximum HE30 & 36 length is 2000mm

Note: Where extension D packs are cut to length, flared end connector must be retained.

Horizontal Flue with 2 x 45° Elbow

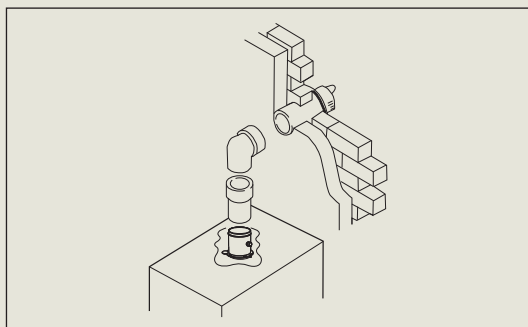


Flue	Ideal Part No.	Maximum straight flue length (mm)
Standard pack B + 2 x 45° Elbow	201816 201183	775
Standard pack B + 2 x Extension pack D (HE 30/36) + 2 x 45° Elbow	201816 2 x 201180 201183	1585*
Standard pack B + 5 x Extension pack D (HE 15-24) + 2 x 45° Elbow	201816 5 x 201180 201183	4000

*Maximum HE30 & 36 length is 1500mm

Note: Where extension D packs are cut to length, flared end connector must be retained.

Vertical Extension

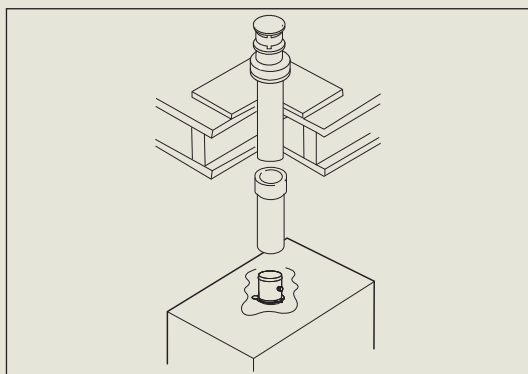


Permits horizontal flue section to be raised to clear restrictions.

Flue	Ideal Part No.	Maximum straight flue length (mm)
Standard pack B + Vertical outlet kit + Appropriate Extension Packs	201816 201871 201180	6000 (15-24) 3000 (30-36)

Note: Maximum flue length is combined horizontal and vertical.

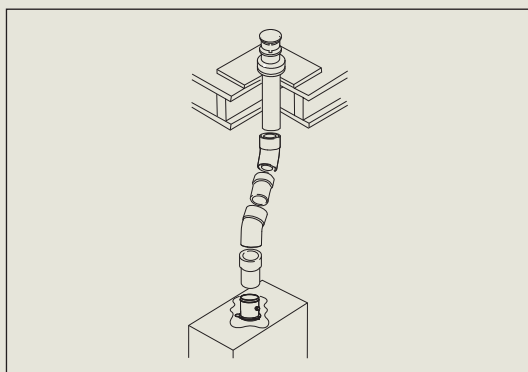
Roof Flue System



Flue	Ideal Part No.	Maximum straight flue length (mm)
Roof flue kit + Vertical connector + Weather collar	201189 201869 158431/158432*	1000
Roof flue kit + Vertical connector + Weather collar + 7 (maximum) x Extension packs (15-24) + 4 (max.) x Extension packs (30-36)	201189 201869 158431/158432* 7 x 201180 4 x 201180	8000 (HE15/18/24) 5000 (HE30/36)

Note: 158431: Universal weather collar (suits any roof pitch)
*158432: flat roof weather collar

Roof Flue Systems with 2 x 45° Elbow



Flue	Ideal Part No.	Maximum straight flue length (mm)
Roof flue kit + Vertical connector + Weather collar + 2 x 45° Elbow + 6 (maximum) x Extension packs (15-24) + 3 (max.) x Extension packs (30-36)	201189 201869 158431/158432* 201183 6 x 201180 3 x 201180	6000 (HE15/18/24) 3000 (HE30/36)

Note: 158431: Universal weather collar (suits any roof pitch)
*158432: flat roof weather collar

Flueing - Mexico HE

Flueing accessories

<p>Flue Extension 1m (Pack D)</p> <p>Ideal Part No. 201180</p>	<p>Flue finishing kit</p> <p>Ideal Part No. 201181</p>	<p>Flue Elbow 90° kit</p> <p>Ideal Part No. 201182</p>	<p>Flue Elbow 45° (pair)</p> <p>Ideal Part No. 201183</p>	<p>Flue deflector kit</p> <p>Ideal Part No. 202011</p>	<p>Vertical flue connector 100mm</p> <p>Ideal Part No. 201869</p>	<p>Vertical outlet kit 100mm</p> <p>Ideal Part No. 201871</p>										
<p>Roof flue kit</p> <p>Ideal Part No. 201189</p>	<p>Weather collar - flatroof</p> <p>Ideal Part No. 158432</p>	<p>Weather collar - universal</p> <p>Ideal Part No. 158431</p>	<table border="1"> <thead> <tr> <th>Installation Accessories</th> <th>Ideal Part No.</th> </tr> </thead> <tbody> <tr> <td>Condensate Pump Kit</td> <td>159991</td> </tr> <tr> <td>Terminal Wall plate Kit</td> <td>201896</td> </tr> <tr> <td>Remote user control Kit</td> <td>200719</td> </tr> <tr> <td>Concealment panel Kit</td> <td>201895</td> </tr> </tbody> </table>				Installation Accessories	Ideal Part No.	Condensate Pump Kit	159991	Terminal Wall plate Kit	201896	Remote user control Kit	200719	Concealment panel Kit	201895
Installation Accessories	Ideal Part No.															
Condensate Pump Kit	159991															
Terminal Wall plate Kit	201896															
Remote user control Kit	200719															
Concealment panel Kit	201895															

The kit comprises: Concentric terminal including fitted 90° flue elbow. (This is specified in place of the normal standard B pack terminal). 60mm flue elbow and terminal. Boiler flue turret supplied with boiler

diagram representative only

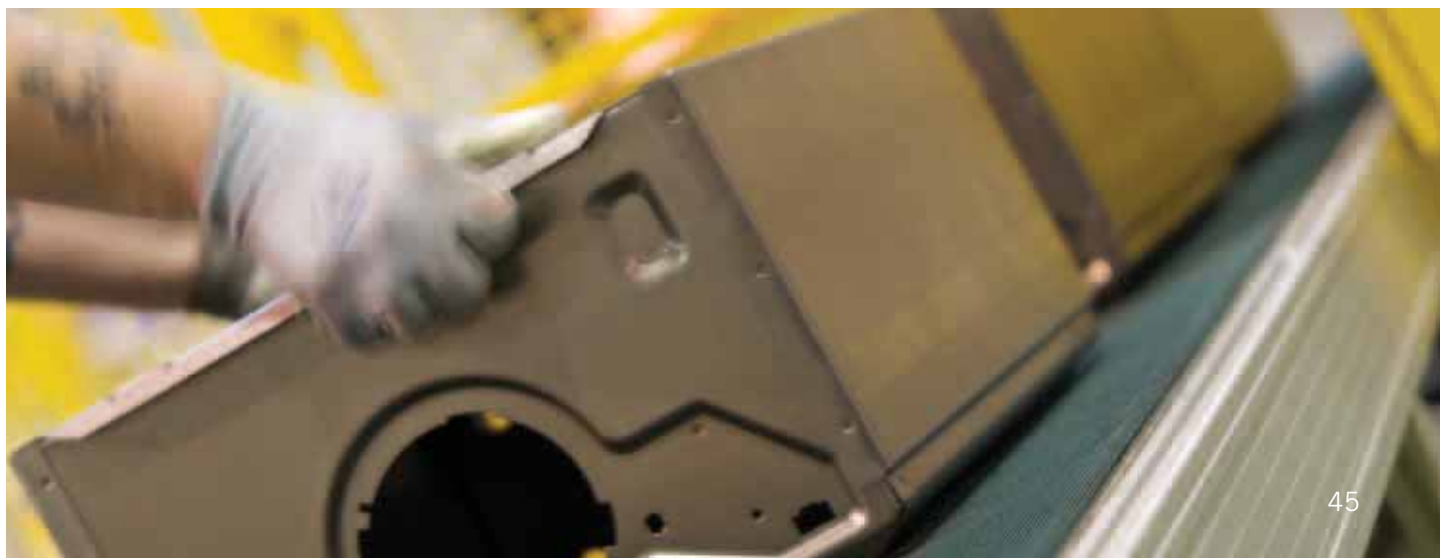
These easy to install kits allow the boiler flue outlet to be extended external to the building, upwards to provide a flue exit at high level, overcoming problems associated with plume emission.

An external 60mm diameter flue leads from the boiler terminal (which includes a 90° elbow at the flue exit) to terminate with a 90° elbow complete with grille. Push fit one metre extension pipes are used as required, and the fixing clips supplied support the system from the wall. Both 90° and 45° elbows are available to provide routing options.

Mexico HE	Ideal Part No.
High Level Flue Outlet Kit	202008
1m x 60mm extension pipe (with bracket)	202012
90° Elbow	202009
45° Elbow (pair)	202010

If additional elbows to those supplied in the High Level Flue Outlet kit are used, deduct the following resistances (metres) from the maximum boiler flue length.

Mexico HE	Metres
90° Elbow	1.5
45° Elbow (pair)	1.0



Technical Specification

Boiler Model		Logic+ Combi			Logic Combi		
		24	30	35	24	30	35
Size	Casing dimensions (h w d)(mm)						
	Height	700			700		
	Width	395			395		
	Depth	278			278		
	Weight (packed) kg	37.7	37.8	38	37.7	37.8	38
	Maximum Installation Weight kg	32.7	32.8	33	32.7	32.8	33
Performance	CH output (kW) Min/Max @ 70°C	4.8 - 24.2	6.1 - 24.2	7.1 - 24.2	4.8 - 24.2	6.1 - 24.2	7.1 - 24.2
	CH output (kW) Min/Max @ 40°C	5.1 - 25.6	6.4 - 25.6	7.5 - 25.6	5.1 - 25.6	6.4 - 25.6	7.5 - 25.6
	DHW output (kW) Max	24.2	30.3	35.3	24.2	30.3	35.3
	DHW flow rate l/min. 35°C rise	9.9	12.4	14.5	9.9	12.4	14.5
	SEDBUK (2009) %	89.0	89.0	88.9	89.0	89.0	88.9
	NOx Classification	CLASS 5			CLASS 5		
	Adjustable to LPG	No			No		
Construction	Heat exchanger material	Aluminium - Silicon Alloy			Aluminium - Silicon Alloy		
	Burner type	Downward firing Pre-mix			Downward firing Pre-mix		
	Fully modulating	Yes			Yes		
	DHW plate heat exchanger	Yes			Yes		
	Integrated hydroblock	Yes			Yes		
Installation	Suitable for sealed systems	Yes			Yes		
	Suitable for open-vent systems	No			No		
	Filling loop	Yes			Yes		
	Pre-wired mains lead	Yes			Yes		
	Flow regulator	Yes			Yes		
	In-built system bypass	Yes			Yes		
	In-built condensate trap/siphon	Yes			Yes		
	In-built boiler frost protection	Yes			Yes		
Zero compartment ventilation	Yes			Yes			
Clearances	Top (mm) (from top of boiler)	165			165		
	Side (mm)	2.5			2.5		
	Bottom (mm)	100			100*		
	Front (mm)	450			450*		
User Interface	User display	Plain text			Digital (Alpha/numeric)		
	User interface	Text display & manual controls			Digital display & manual controls		
	Diagnostics	Plain English text			Fault diagnosis display		
	User adjustable	Manual heating & hot water controls			Manual heating & hot water controls		
	'Eco' setting on CH	Yes			Yes		
	In-built Programmer	Optional			Optional		
Pipes	Pre-piping kit	Optional			Optional		
	Stand-off kit	Optional			Optional		
	Stand off kit inc. pipes.	Optional			Optional		
Flues	Max horizontal	9m	8m	6m	9m	8m	6m
	Max vertical	7.5m			7.5m		
	Powered Vertical	22m			22m		
Connections *2	Gas Supply Connection	15mm copper compression			15mm copper compression		
	CH Flow Connection	22mm copper compression			22mm copper compression		
	CH Return Connection	22mm copper compression			22mm copper compression		
	Inlet Connection - DHW	15mm copper compression			15mm copper compression		
	Outlet Connection - DHW	15mm copper compression			15mm copper compression		
	Condensate Drain	21.5mm			21.5mm		

		Logic Code Combi			
Boiler Model		26	33	38	
Size	Height	830			
	Width	395			
	Depth	278			
	Weight (packed) kg	41.3	41.4	41.6	
	Maximum Installation Weight kg	35.9	36.0	36.2	
Performance	CH output (kW) Min/Max @ 70°C	4.8 - 24.2	6.1 - 24.2	7.1 - 24.2	
	CH output (kW) Min/Max @ 40°C	5.1 - 25.6	6.4 - 25.6	7.5 - 25.6	
	DHW output (kW) Max	26.1	32.7	38.2	
	DHW flow rate l/min. 35°C rise	10.7	13.4	15.7	
	SEDBUK (2009) %	89.0	89.0	88.9	
	NOx Classification	5			
	Adjustable to LPG	No			
Construction	Heat exchanger material	Cast aluminium- silicon alloy			
	Burner type	Downward firing pre-mix			
	Fully modulating	Yes			
	DHW plate heat exchanger	Yes			
	Integrated hydroblock	Yes			
Installation	Suitable for sealed systems	Yes			
	Suitable for open-vent systems	No			
	Filling loop	Yes			
	Pre-wired mains lead	Yes			
	Flow regulator	Yes			
	In-built system bypass	Yes			
	In-built condensate trap/siphon	Yes			
	Pump exercise	Yes			
	In-built boiler frost protection	Yes			
	Zero compartment ventilation	Yes			
	Copper tail connections	Yes			
	Clearances	Top (mm) (from top of boiler)	165		
		Side (mm)	2.5		
Bottom (mm)		100			
Front (mm)		450*			
User Interface	User display	Digital (Alpha/numeric)			
	User interface	Digital display & manual controls			
	Diagnostics	Fault diagnostic display			
	User adjustable	Manual heating control			
	'Eco' setting on CH	Yes			
	In-built Programmer	Optional			
Pipes	Pre-piping kit	Yes			
	Stand-off kit	Yes			
	Stand off kit inc. pipes.	Yes			
	Security bracket kit	Yes			
	PRV Wall Outlet Kit	Yes			
	Terminal Wall Plate Kit	No			
	Weather Compensation kit	Yes			
Flues	Max horizontal	9	8	6	
	Max vertical	7.5			
	Powered Vertical	22			
	High Level Flue Outlet Kit	Yes			
	Direct Rear Flue Kit (55/80)	No			
Connections	Gas	15mm			
	CH Flow & Return	22mm			
	DHW Inlet & Outlet	15mm			
	Pressure relief valve	15mm			
	Condensate drain	21.5mm			

* can be reduced to 5mm for cupboard fit, 450mm required for servicing

Technical Specification

Boiler Model		Logic+ Heat Only				
		12	15	18	24	30
Size	Casing dimensions (h w d)(mm)					
	Height	700				
	Width	395				
	Depth	278				
	Weight (packed) kg	28.7				
	Maximum Installation Weight kg	23.0				
Performance	CH output (kW) Min/Max @ 70°C	4.8 - 12.0	4.8 - 15.0	4.8 - 18.0	4.8 - 24.2	6.1 - 30.3
	CH output (kW) Min/Max @ 40°C	5.1 - 13.0	5.1 - 15.9	5.1 - 19.1	5.1 - 25.6	6.4 - 31.0
	DHW output (kW) Max	N/A				
	DHW flow rate l/min. 35°C rise	N/A				
	SEDBUK (2009) %	89.4	89.3	89.2	89.5	89.6
	NOx Classification	CLASS 5				
	Adjustable to LPG	No				
Construction	Heat exchanger material	Cast Aluminium - Silicon Alloy				
	Burner type	Downward firing Pre-mix				
	Fully modulating	Yes				
	DHW plate heat exchanger	N/A				
	Integrated hydroblock	N/A				
Installation	Suitable for sealed systems	Yes				
	Suitable for open-vent systems	Yes				
	Filling loop	No				
	Pre-wired mains lead	No				
	Flow regulator	N/A				
	In-built system bypass	No				
	In-built condensate trap/siphon	Yes				
	In-built boiler frost protection	Yes				
Zero compartment ventilation	Yes					
Clearances	Top (mm) (from top of boiler)	165 (100 rear outlet flue)				
	Side (mm)	2.5				
	Bottom (mm)	100				
	Front (mm)	450*				
User Interface	User display	Digital (Alpha/numeric)				
	User interface	Digital display & manual controls				
	Diagnostics	Fault diagnosis display				
	User adjustable	Manual heating control				
	'Eco' setting on CH	Yes				
	In-built Programmer	No				
Pipes	Pre-piping kit	No				
	Stand-off kit	Yes				
	Stand off kit inc. pipes.	No				
Flues	Max horizontal	9m				8m
	Max vertical	7.5m	Also available: High Level Flue Outlet Kit/ Direct Rear Flue Kit (55/80)			
	Powered Vertical	22m				
Connections *2	Gas Supply Connection	15mm				
	CH Flow Connection	22mm				
	CH Return Connection	22mm				
	Inlet Connection - DHW	N/A				
	Outlet Connection - DHW	N/A				
	Condensate Drain	21.5mm				

Logic Heat Only					Logic+ System			
12	15	18	24	30	15	18	24	30
700					700			
395					395			
278					278			
28.7					34.4			
23.0					28.0			
4.8 - 12.0	4.8 - 15.0	4.8 - 18.0	4.8 - 24.2	6.1 - 30.3	4.8 - 15.0	4.8 - 18.0	4.8 - 24.2	6.1 - 30.3
5.1 - 13.0	5.1 - 15.9	5.1 - 19.1	5.1 - 25.6	6.4 - 31.0	5.1 - 15.9	5.1 - 19.1	5.1 - 25.6	6.4 - 31.0
N/A					N/A			
N/A					N/A			
89.4	89.3	89.2	89.5	89.6	89.3	89.2	89.5	89.6
CLASS 5					CLASS 5			
No					No			
Cast Aluminium - Silicon Alloy					Cast Aluminium - Silicon Alloy			
Downward firing Pre-mix					Downward firing Pre-mix			
Yes					Yes			
N/A					N/A			
N/A					N/A			
Yes					Yes			
Yes					No			
No					No			
No					Yes			
N/A					N/A			
No					Yes			
Yes					Yes			
Yes					Yes			
Yes					Yes			
165 (100 rear outlet flue)					165			
2.5					2.5			
100					100			
450*					450*			
Digital (Alpha/numeric)					Digital (Alpha/numeric)			
Digital display & manual controls					Digital display & manual controls			
Fault diagnosis display					Fault diagnosis display			
Manual heating control					Manual heating control			
Yes					Yes			
No					No			
No					Yes			
Yes					Yes			
No					Yes			
9m					9m			
8m					8m			
7.5m	Also available: High Level Flue Outlet Kit/ Direct Rear Flue Kit (55/80)				7.5m			
22m					22m			
15mm					15mm			
22mm					22mm			
22mm					22mm			
N/A					N/A			
N/A					N/A			
21.5mm					21.5mm			

Technical Specification

Boiler Model		Logic System			
		15	18	24	30
Size	Casing dimensions (h w d)(mm)				
	Height	700			
	Width	395			
	Depth	278			
	Weight (packed) kg	34.4			
	Maximum Installation Weight kg	28.0			
Performance	CH output (kW) Min/Max @ 70°C	4.8 - 15.0	4.8 - 18.0	4.8 - 24.2	6.1 - 30.3
	CH output (kW) Min/Max @ 40°C	5.1 - 15.9	5.1 - 19.1	5.1 - 25.6	6.4 - 31.0
	DHW output (kW) Max	N/A			
	DHW flow rate l/min. 35°C rise	N/A			
	SEDBUK (2009) %	89.3	89.2	89.5	89.6
	NOx Classification	CLASS 5			
	Adjustable to LPG	No			
Construction	Heat exchanger material	Cast Aluminium - Silicon Alloy			
	Burner type	Downward firing Pre-mix			
	Fully modulating	Yes			
	DHW plate heat exchanger	N/A			
	Integrated hydroblock	N/A			
Installation	Suitable for sealed systems	Yes			
	Suitable for open-vent systems	No			
	Filling loop	No			
	Pre-wired mains lead	Yes			
	Flow regulator	N/A			
	In-built system bypass	Yes			
	In-built condensate trap/siphon	Yes			
	In-built boiler frost protection	Yes			
	Zero compartment ventilation	Yes			
Clearances	Top (mm) (from top of boiler)	165			
	Side (mm)	2.5			
	Bottom (mm)	100			
	Front (mm)	450*			
User Interface	User display	Digital (Alpha/numeric)			
	User interface	Digital display & manual controls			
	Diagnostics	Fault diagnosis display			
	User adjustable	Manual heating control			
	'Eco' setting on CH	Yes			
	In-built Programmer	No			
Pipes	Pre-piping kit	Yes			
	Stand-off kit	Yes			
	Stand off kit inc. pipes.	Yes			
Flues	Max horizontal	9m		8m	
	Max vertical	7.5m			
	Powered Vertical	22m			
Connections *2	Gas Supply Connection	15mm			
	CH Flow Connection	22mm			
	CH Return Connection	22mm			
	Inlet Connection - DHW	N/A			
	Outer Connection - DHW	N/A			
	Condensate Drain	21.5mm			

Mexico HE				
15	18	24	30	36
		850		
		450		
		530		
	54			69
	47			67
8.8 - 14.6	8.8 - 18.2	8.8 - 23.4	10.6 - 30.1	10.6 - 37.0
9.6 - 15.5	9.6 - 19.2	9.6 - 25.1	11.4 - 32.8	11.4 - 39.8
		N/A		
		N/A		
89.7	89.4	88.8	88.9	89.0
		Class 5		
		No		
		Cast Aluminium - silicon alloy		
		Downward firing pre-mix burner		
		Yes		
		N/A		
		N/A		
		Yes		
		Yes		
		No		
		No		
		N/A		
		No		
		Yes		
		Yes		
		Yes		
		20		
		5		
		N/A		
		450		
		Alpha Numeric		
		Digital display & manual controls		
		Fault codes		
		Yes		
		No		
		No		
		Standard		
		N/A		
		N/A		
	6m			3m
	8m			5m
	N/A			N/A
		Rc ½ inches		
		22mm copper compression		
		22mm copper compression		
		N/A		
		N/A		
		21.5mm		

Ideal Service & Support



Support

When you choose to work with Ideal you can be confident to know that you're partnering with a British manufacturer that's supported by a dedicated national service team, delivering help and advice to you and your customers, 364 days a year.

Our rigorous research and development procedures and manufacturing quality control checks ensures that all of our products are produced to the highest of standards, delivering total home comfort and peace of mind.

Service

Our dedicated service team of engineers, are fully trained to exacting standards and are Gas Safe* registered, provide one-to-one advice on the road, over the phone or via the net to thousands of customers each year.

Training

Here at Ideal, we understand that as a heating engineer, you want the confidence and knowledge to be able to install and service a wide range of products.

With this in mind, we have created a series of one and two day product training courses on all of our domestic boilers and renewable technologies.

Providing a mix of hands-on and theory based classroom learning, each Ideal training course has been designed specifically with the heating engineer in mind.

For more information, please contact the training department on **01482 498432**

After-sales

Our call centre team based in Hull are comprehensively trained to provide tailored advice to homeowners and the trade.

Installer helpline **01482 498663**

Installer Logic helpline **01482 445570**

Homeowner helpline **01482 498660**

Monday - Friday	8am - 5pm
Saturday	8am - 2pm
Sunday	8am - 12pm

Ideal Service & Support

Parts

Ideal's extensive quality testing procedures ensure that all of our products are manufactured to the highest of quality standards.

If in the unlikely event that a spare part is required, then you can rest assured that most parts are readily available to order via your local spares outlet up to 10 years after appliance production has ceased.

Ideal spare parts can be obtained from any of Ideal's nationwide network of approved stockists.

For information about Ideal spare parts and for a list of stockists, please call our Parts department on **01482 498665**, or visit our website **www.idealheating.com**







Ideal Heating

P.O. Box 103
National Avenue
Kingston Upon Hull
HU5 4JN

T: 01482 492251
www.idealheating.com